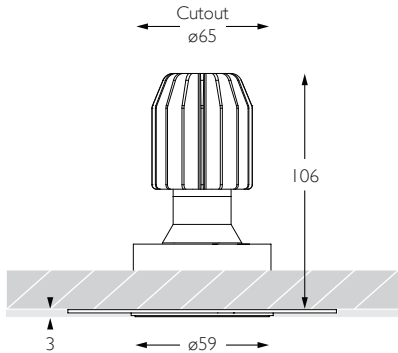


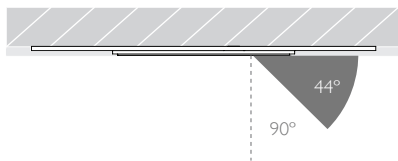
# MINIMO 16 | ADJUSTABLE

Luminaires  
spec sheet RCT-636

ULTRA NARROW SPOT | TRIMLESS | PINHOLE APERTURE

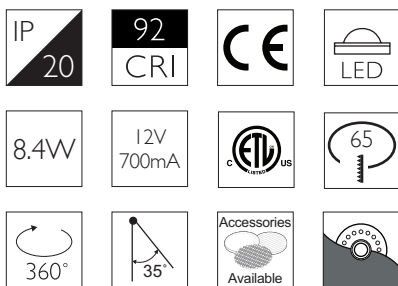


Glare Diagram



Cut Off: 44°

Glare Comfort Cut Off: 90°



## Technical Description

Minimo 16 Adjustable is a compact recessed LED luminaire offering full adjustability with 360° pan and 35° tilt without breaking the ceiling line. Minimo 16 is perfect for use in colour-critical applications with 92CRI delivered from a single source LED module and available in two colour temperatures as standard. Tool-less, site changeable beam angles allow flexibility in varying environments. Machined from aerospace grade 6063-T6 aluminium, Minimo 16 Adjustable Trimless features a 33mm pinhole aperture for a minimal and extremely low glare solution. Minimo 16 Adjustable delivers a lumen package of 665lm at 8.4W.

## Mechanical

**Category** Interior use only IP20

**Material** Machined Aluminium

**Configuration** Trimless | Pinhole Aperture

**Cutout** ø65mm

**Ceiling Thickness** 5mm min.

**Ceiling Void** 20mm above module

**Pan** 360° **Tilt** 35°

**Weight** 279g

## Finishes

**Finishes** Black | White \*

\* Please enquire as to the availability of non-standard Finishes

## Optical

**System Power** 8.4W

**Module Output** 665lm\*\*

**Absolute Output** 656lm\*\*

**LOR** 99%

**Glare Cut Off** 44°

**Glare Comfort Cut Off** 90°

\*\* Photometry shown is correct for 3000K module. Please enquire for 2700K module output.

**Colour Temperature** 2700K | 3000K

**CRI** 92 Typ

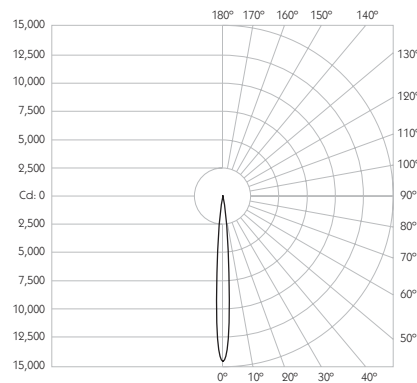
**TM-30** Rf: 90 Rg: 99

**Beam Angle** 9°

**Gear Type** Dimmable Options Available

**Gear Location** Remote

Product Photometry independently tested in accordance with LM-79



Distance	Beam Diameter	Illuminance (lx)
1m	0.16m	14,533 lx
2m	0.31m	3,633 lx
3m	0.47m	1,615 lx
4m	0.63m	908 lx
5m	0.79m	581 lx

Luminaire Code

RCT-636

Finish

BK

Black

WH

White

CCT

27

2700K

30

3000K

CRI

92

92 CRI

Beam Angle

09

9° Ultra Narrow Spot

RCT-636

92

09

PRECISION  
LIGHTING

SALES@PRECISIONLIGHTING.CO.UK

WWW.PRECISIONLIGHTING.CO.UK

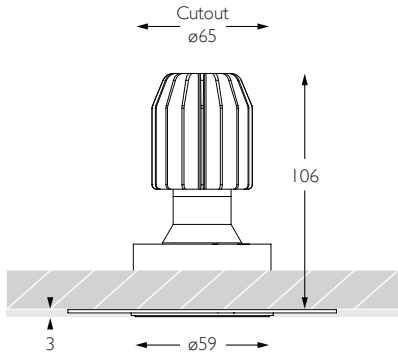
42 RIVERSIDE ROAD  
LONDON SW17 0BA

t. +44 (0) 20 8947 6616  
f. +44 (0) 20 8286 6626

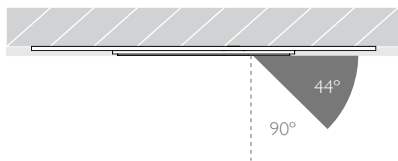
# MINIMO 16 | ADJUSTABLE

Luminaires  
spec sheet RCT-636

NARROW SPOT | TRIMLESS | PINHOLE APERTURE

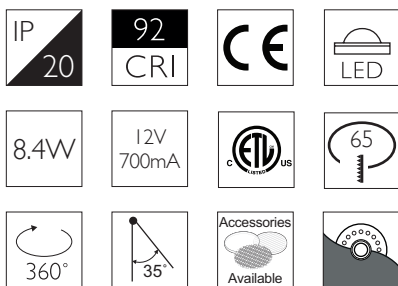


Glare Diagram



Cut Off: 44°

Glare Comfort Cut Off: 90°



## Technical Description

Minimo 16 Adjustable is a compact recessed LED luminaire offering full adjustability with 360° pan and 35° tilt without breaking the ceiling line. Minimo 16 is perfect for use in colour-critical applications with 92CRI delivered from a single source LED module and available in two colour temperatures as standard. Tool-less, site changeable beam angles allow flexibility in varying environments. Machined from aerospace grade 6063-T6 aluminium, Minimo 16 Adjustable Trimless features a 33mm pinhole aperture for a minimal and extremely low glare solution. Minimo 16 Adjustable delivers a lumen package of 665lm at 8.4W.

## Mechanical

**Category** Interior use only IP20

**Material** Machined Aluminium

**Configuration** Trimless | Pinhole Aperture

**Cutout** ø65mm

**Ceiling Thickness** 5mm min.

**Ceiling Void** 20mm above module

**Pan** 360° **Tilt** 35°

**Weight** 279g

## Finishes

**Finishes** Black | White \*

\* Please enquire as to the availability of non-standard Finishes

## Optical

**System Power** 8.4W

**Module Output** 665lm\*\*

**Absolute Output** 653lm\*\*

**LOR** 98%

**Glare Cut Off** 44°

**Glare Comfort Cut Off** 90°

\*\* Photometry shown is correct for 3000K module. Please enquire for 2700K module output.

**Colour Temperature** 2700K | 3000K

**CRI** 92 Typ

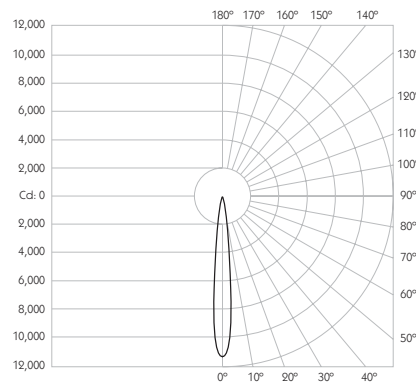
**TM-30** Rf: 90 Rg: 99

**Beam Angle** 11°

**Gear Type** Dimmable Options Available

**Gear Location** Remote

Product Photometry independently tested in accordance with LM-79



Distance (m)	Beam Diameter (m)	Illuminance (lx)
1m	0.19m	11,164 lx
2m	0.39m	2,791 lx
3m	0.58m	1,240 lx
4m	0.77m	698 lx
5m	0.96m	447 lx

Luminaire Code

RCT-636

Finish

BK

Black

WH

White

CCT

27

2700K

30

3000K

CRI

92

92 CRI

Beam Angle

11

11° Narrow Spot

RCT-636

92

11

PRECISION  
LIGHTING

SALES@PRECISIONLIGHTING.CO.UK

WWW.PRECISIONLIGHTING.CO.UK

42 RIVERSIDE ROAD  
LONDON SW17 0BA

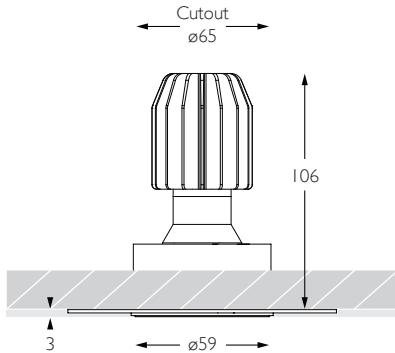
t. +44 (0) 20 8947 6616  
f. +44 (0) 20 8286 6626

Version 10.16

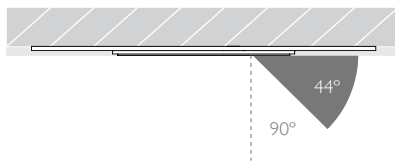
# MINIMO 16 | ADJUSTABLE

Luminaires  
spec sheet RCT-636

SPOT | TRIMLESS | PINHOLE APERTURE

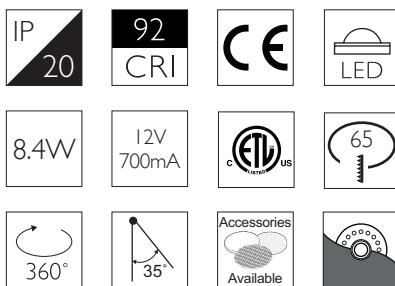


Glare Diagram



Cut Off: 44°

Glare Comfort Cut Off: 90°



## Technical Description

Minimo 16 Adjustable is a compact recessed LED luminaire offering full adjustability with 360° pan and 35° tilt without breaking the ceiling line. Minimo 16 is perfect for use in colour-critical applications with 92CRI delivered from a single source LED module and available in two colour temperatures as standard. Tool-less, site changeable beam angles allow flexibility in varying environments. Machined from aerospace grade 6063-T6 aluminium, Minimo 16 Adjustable Trimless features a 33mm pinhole aperture for a minimal and extremely low glare solution. Minimo 16 Adjustable delivers a lumen package of 665lm at 8.4W.

## Mechanical

**Category** Interior use only IP20

**Material** Machined Aluminium

**Configuration** Trimless | Pinhole Aperture

**Cutout** ø65mm

**Ceiling Thickness** 5mm min.

**Ceiling Void** 20mm above module

**Pan** 360° **Tilt** 35°

**Weight** 279g

## Finishes

**Finishes** Black | White \*

\* Please enquire as to the availability of non-standard Finishes

## Optical

**System Power** 8.4W

**Module Output** 665lm\*\*

**Absolute Output** 656lm\*\*

**LOR** 99%

**Glare Cut Off** 44°

**Glare Comfort Cut Off** 90°

\*\* Photometry shown is correct for 3000K module. Please enquire for 2700K module output.

**Colour Temperature** 2700K | 3000K

**CRI** 92 Typ

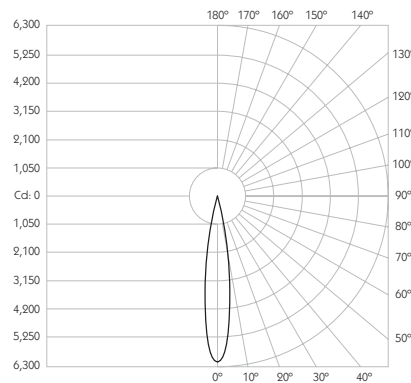
**TM-30** Rf: 90 Rg: 99

**Beam Angle** 15°

**Gear Type** Dimmable Options Available

**Gear Location** Remote

Product Photometry independently tested in accordance with LM-79



8.4W 15°		3000K LED	
1m	0.26m	6,047 lx	
2m	0.53m	1,152 lx	
3m	0.79m	672 lx	
4m	1.05m	378 lx	
5m	1.32m	242 lx	

Luminaire Code

RCT-636

Finish

**BK**  
**WH**

Black  
White

CCT

**27**  
**30**

2700K  
3000K

CRI

**92**

92 CRI

Beam Angle

**15**

15° Spot

RCT-636

92

15

PRECISION  
LIGHTING

SALES@PRECISIONLIGHTING.CO.UK

WWW.PRECISIONLIGHTING.CO.UK

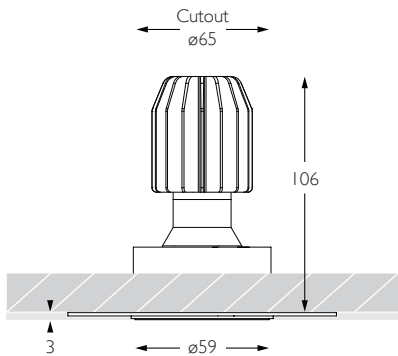
42 RIVERSIDE ROAD  
LONDON SW17 0BA

t. +44 (0) 20 8947 6616  
f. +44 (0) 20 8286 6626

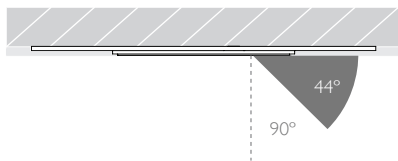
# MINIMO 16 | ADJUSTABLE

Luminaires  
spec sheet RCT-636

FLOOD | TRIMLESS | PINHOLE APERTURE

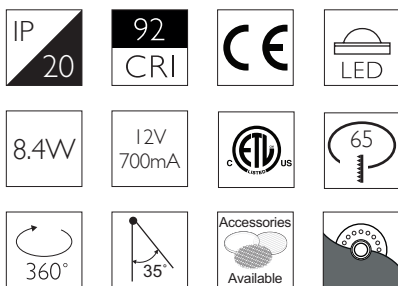


Glare Diagram



Cut Off: 44°

Glare Comfort Cut Off: 90°



## Technical Description

Minimo 16 Adjustable is a compact recessed LED luminaire offering full adjustability with 360° pan and 35° tilt without breaking the ceiling line. Minimo 16 is perfect for use in colour-critical applications with 92CRI delivered from a single source LED module and available in two colour temperatures as standard. Tool-less, site changeable beam angles allow flexibility in varying environments. Machined from aerospace grade 6063-T6 aluminium, Minimo 16 Adjustable Trimless features a 33mm pinhole aperture for a minimal and extremely low glare solution. Minimo 16 Adjustable delivers a lumen package of 665lm at 8.4W.

## Mechanical

**Category** Interior use only IP20

**Material** Machined Aluminium

**Configuration** Trimless | Pinhole Aperture

**Cutout** ø65mm

**Ceiling Thickness** 5mm min.

**Ceiling Void** 20mm above module

**Pan** 360° **Tilt** 35°

**Weight** 279g

## Finishes

**Finishes** Black | White \*

\* Please enquire as to the availability of non-standard Finishes

## Optical

**System Power** 8.4W

**Module Output** 665lm\*\*

**Absolute Output** 569lm\*\*

**LOR** 86%

**Glare Cut Off** 44°

**Glare Comfort Cut Off** 90°

\*\* Photometry shown is correct for 3000K module. Please enquire for 2700K module output.

**Colour Temperature** 2700K | 3000K

**CRI** 92 Typ

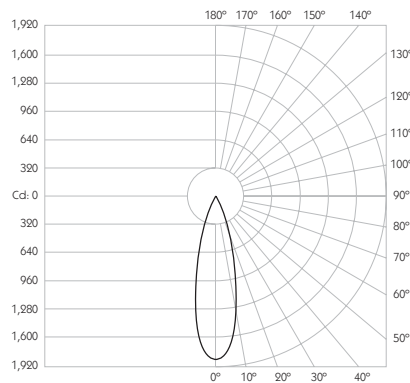
**TM-30** Rf: 90 Rg: 99

**Beam Angle** 25°

**Gear Type** Dimmable Options Available

**Gear Location** Remote

Product Photometry independently tested in accordance with LM-79



Distance	Beam Diameter	Illuminance (lx)
1m	0.44m	1,834 lx
2m	0.89m	458 lx
3m	1.33m	204 lx
4m	1.77m	115 lx
5m	2.22m	73 lx

Luminaire Code

RCT-636

Finish

**BK**  
**WH**

Black  
White

CCT

**27**  
**30**

2700K  
3000K

CRI

**92**

92 CRI

Beam Angle

**25**

25° Flood

RCT-636

92

25

PRECISION  
LIGHTING

SALES@PRECISIONLIGHTING.CO.UK

WWW.PRECISIONLIGHTING.CO.UK

42 RIVERSIDE ROAD  
LONDON SW17 0BA

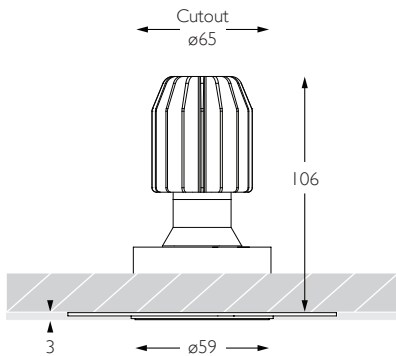
t. +44 (0) 20 8947 6616  
f. +44 (0) 20 8286 6626

Version 10.16

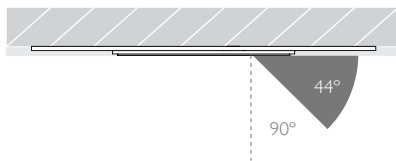
# MINIMO 16 | ADJUSTABLE

Luminaires  
spec sheet RCT-636

WIDE FLOOD | TRIMLESS | PINHOLE APERTURE

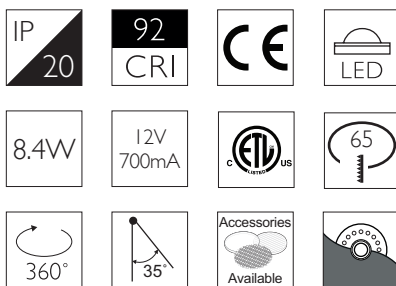


Glare Diagram



Cut Off: 44°

Glare Comfort Cut Off: 90°



## Technical Description

Minimo 16 Adjustable is a compact recessed LED luminaire offering full adjustability with 360° pan and 35° tilt without breaking the ceiling line. Minimo 16 is perfect for use in colour-critical applications with 92CRI delivered from a single source LED module and available in two colour temperatures as standard. Tool-less, site changeable beam angles allow flexibility in varying environments. Machined from aerospace grade 6063-T6 aluminium, Minimo 16 Adjustable Trimless features a 33mm pinhole aperture for a minimal and extremely low glare solution. Minimo 16 Adjustable delivers a lumen package of 665lm at 8.4W.

## Mechanical

**Category** Interior use only IP20

**Material** Machined Aluminium

**Configuration** Trimless | Pinhole Aperture

**Cutout** ø65mm

**Ceiling Thickness** 5mm min.

**Ceiling Void** 20mm above module

**Pan** 360° **Tilt** 35°

**Weight** 279g

## Finishes

**Finishes** Black | White \*

\* Please enquire as to the availability of non-standard Finishes

## Optical

**System Power** 8.4W

**Module Output** 665lm\*\*

**Absolute Output** 544lm\*\*

**LOR** 82%

**Glare Cut Off** 44°

**Glare Comfort Cut Off** 90°

\*\* Photometry shown is correct for 3000K module. Please enquire for 2700K module output.

**Colour Temperature** 2700K | 3000K

**CRI** 92 Typ

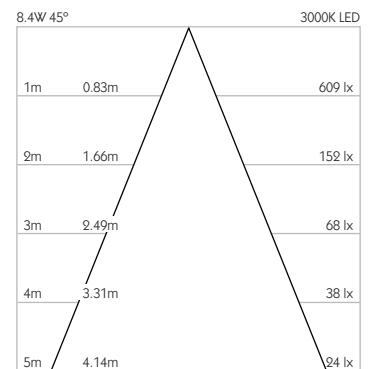
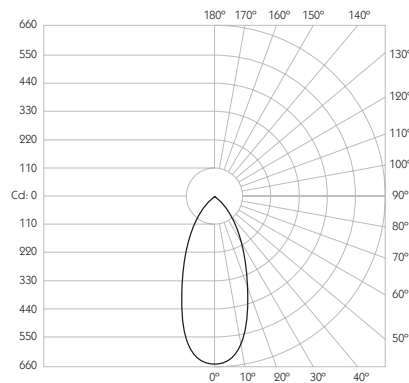
**TM-30** Rf: 90 Rg: 99

**Beam Angle** 45°

**Gear Type** Dimmable Options Available

**Gear Location** Remote

Product Photometry independently tested in accordance with LM-79



Luminaire Code

RCT-636

Finish

**BK**  
**WH**

Black  
White

CCT

**27**  
**30**

2700K  
3000K

CRI

**92**

92 CRI

Beam Angle

**45**

45° Wide Flood

RCT-636

92

45

PRECISION  
LIGHTING

SALES@PRECISIONLIGHTING.CO.UK

WWW.PRECISIONLIGHTING.CO.UK

42 RIVERSIDE ROAD  
LONDON SW17 0BA

t. +44 (0) 20 8947 6616  
f. +44 (0) 20 8286 6626

Version 10.16