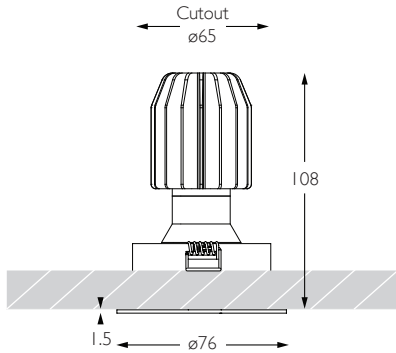


MINIMO 16 | IP54 ADJUSTABLE

Luminaires
spec sheet RCD-637

ULTRA NARROW SPOT | FLAT BEZEL

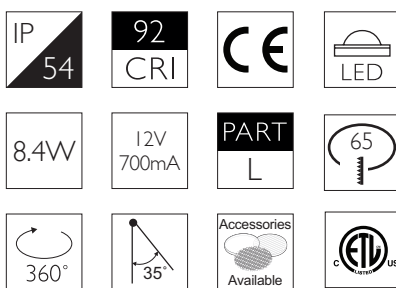


Glare Diagram



Cut Off: 36°

Glare Comfort Cut Off: 80°



Technical Description

Minimo 16 Adjustable is an IP54 recessed LED luminaire offering full adjustability with 360° pan and 35° tilt without breaking the ceiling line. Minimo 16 is perfect for use in colour-critical applications with 92CRI delivered from a single source LED module and available in two colour temperatures as standard. Tool-less, site changeable beam angles allow flexibility in varying environments. Machined from aerospace grade 6063-T6 aluminium or brass, Minimo 16 Adjustable features a flat bezel with a choice of six finishes and an interchangeable decorative aperture available in three finishes for complete aesthetic integration. Minimo 16 Adjustable delivers a lumen package of 665lm at 8.4W.

Mechanical

Category Interior use only IP54

Material Machined Aluminium | Brass

Configuration Flat | Chamfered Aperture

Cutout ø65mm

Ceiling Thickness 3 - 25mm

Ceiling Void 20mm above module

Pan 360° **Tilt** 35°

Weight AL BK WH - 249g | RB PB CH - 271g

Finishes

Bezel Finishes Aluminium | Black | White | Rubbed Bronze | Polished Brass | Chrome | *

Aperture Finishes Black | White | Satin Brass | *

* Please enquire as to the availability of non-standard Finishes

Optical

System Power 8.4W

Module Output 665lm**

Absolute Output 656lm**

LOR 99%

Glare Cut Off 36°

Glare Comfort Cut Off 80°

** Photometry shown is correct for 3000K module. Please enquire for 2700K module output.

Colour Temperature 2700K | 3000K

CRI 92 Typ

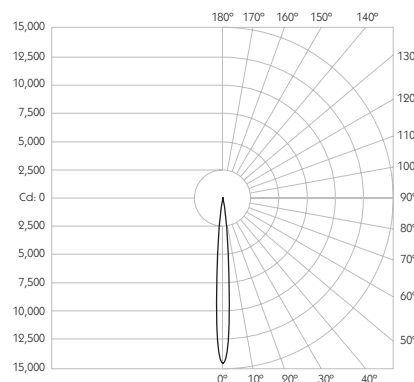
TM-30 Rf: 90 Rg: 99

Beam Angle 9°

Gear Type Dimmable Options Available

Gear Location Remote

Product Photometry independently tested in accordance with LM-79



Distance	Beam Diameter	Illuminance (lx)
1m	0.16m	14,533 lx
2m	0.31m	3,633 lx
3m	0.47m	1,615 lx
4m	0.63m	908 lx
5m	0.79m	581 lx

Luminaire Code

RCD-637

Bezel Finish

AL	Brushed Aluminium
WH	White
BK	Black
RB	Rubbed Bronze
PB	Polished Brass
CH	Polished Chrome

Aperture Finish

BK	Black
WH	White
SB	Satin Brass

CCT

27	2700K
30	3000K

CRI

92 92 CRI

Beam Angle

09 9° Ultra Narrow Spot

RCD-637

92

09

PRECISION
LIGHTING

SALES@PRECISIONLIGHTING.CO.UK

WWW.PRECISIONLIGHTING.CO.UK

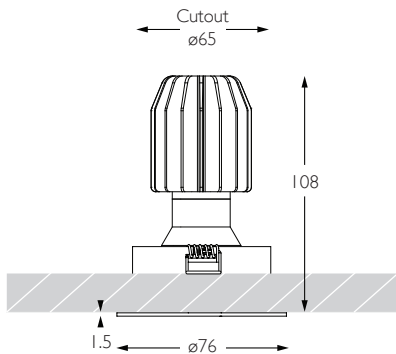
42 RIVERSIDE ROAD
LONDON SW17 0BA

t. +44 (0) 20 8947 6616
f. +44 (0) 20 8286 6626

MINIMO 16 | IP54 ADJUSTABLE

Luminaires
spec sheet RCD-637

NARROW SPOT | FLAT BEZEL

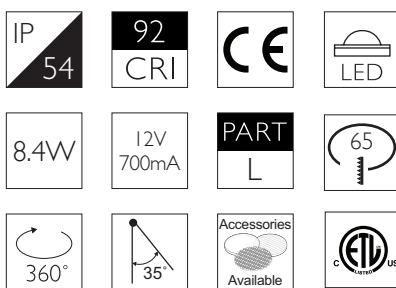


Glare Diagram



Cut Off: 36°

Glare Comfort Cut Off: 80°



Technical Description

Minimo 16 Adjustable is an IP54 recessed LED luminaire offering full adjustability with 360° pan and 35° tilt without breaking the ceiling line. Minimo 16 is perfect for use in colour-critical applications with 92CRI delivered from a single source LED module and available in two colour temperatures as standard. Tool-less, site changeable beam angles allow flexibility in varying environments. Machined from aerospace grade 6063-T6 aluminium or brass, Minimo 16 Adjustable features a flat bezel with a choice of six finishes and an interchangeable decorative aperture available in three finishes for complete aesthetic integration. Minimo 16 Adjustable delivers a lumen package of 665lm at 8.4W.

Mechanical

Category Interior use only IP54

Material Machined Aluminium | Brass

Configuration Flat | Chamfered Aperture

Cutout ø65mm

Ceiling Thickness 3 - 25mm

Ceiling Void 20mm above module

Pan 360° **Tilt** 35°

Weight AL BK WH - 249g | RB PB CH - 271g

Finishes

Bezel Finishes Aluminium | Black | White | Rubbed Bronze | Polished Brass | Chrome | *

Aperture Finishes Black | White | Satin Brass | *

* Please enquire as to the availability of non-standard Finishes

Optical

System Power 8.4W

Module Output 665lm**

Absolute Output 653lm**

LOR 98%

Glare Cut Off 36°

Glare Comfort Cut Off 80°

** Photometry shown is correct for 3000K module. Please enquire for 2700K module output.

Colour Temperature 2700K | 3000K

CRI 92 Typ

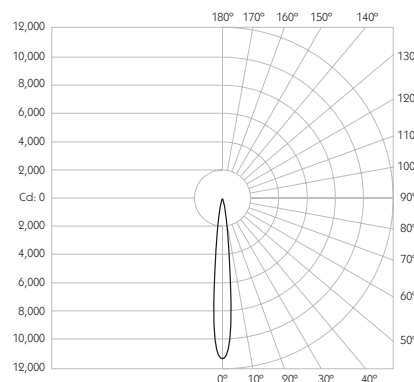
TM-30 Rf: 90 Rg: 99

Beam Angle 11°

Gear Type Dimmable Options Available

Gear Location Remote

Product Photometry independently tested in accordance with LM-79



Distance	Beam Diameter	Illuminance (lx)
1m	0.19m	11,164 lx
2m	0.39m	2,791 lx
3m	0.58m	1,240 lx
4m	0.77m	698 lx
5m	0.96m	447 lx

Luminaire Code

RCD-637

Bezel Finish

AL	Brushed Aluminium
WH	White
BK	Black
RB	Rubbed Bronze
PB	Polished Brass
CH	Polished Chrome

Aperture Finish

BK	Black
WH	White
SB	Satin Brass

CCT

27	2700K
30	3000K

CRI

92 92 CRI

Beam Angle

11 11° Narrow Spot

RCD-637

92

11

PRECISION
LIGHTING

SALES@PRECISIONLIGHTING.CO.UK

WWW.PRECISIONLIGHTING.CO.UK

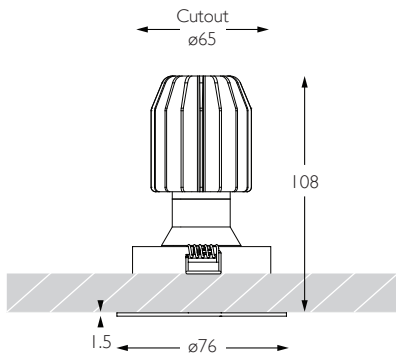
42 RIVERSIDE ROAD
LONDON SW17 0BA

t. +44 (0) 20 8947 6616
f. +44 (0) 20 8286 6626

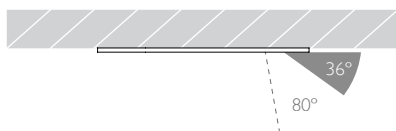
MINIMO 16 | IP54 ADJUSTABLE

Luminaires
spec sheet RCD-637

SPOT | FLAT BEZEL

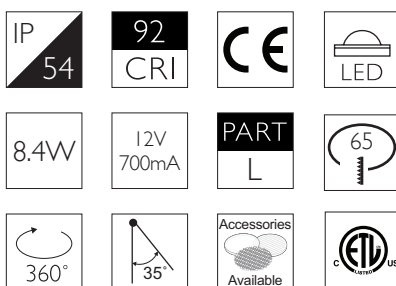


Glare Diagram



Cut Off: 36°

Glare Comfort Cut Off: 80°



Technical Description

Minimo 16 Adjustable is an IP54 recessed LED luminaire offering full adjustability with 360° pan and 35° tilt without breaking the ceiling line. Minimo 16 is perfect for use in colour-critical applications with 92CRI delivered from a single source LED module and available in two colour temperatures as standard. Tool-less, site changeable beam angles allow flexibility in varying environments. Machined from aerospace grade 6063-T6 aluminium or brass, Minimo 16 Adjustable features a flat bezel with a choice of six finishes and an interchangeable decorative aperture available in three finishes for complete aesthetic integration. Minimo 16 Adjustable delivers a lumen package of 665lm at 8.4W.

Mechanical

Category Interior use only IP54

Material Machined Aluminium | Brass

Configuration Flat | Chamfered Aperture

Cutout ø65mm

Ceiling Thickness 3 - 25mm

Ceiling Void 20mm above module

Pan 360° **Tilt** 35°

Weight AL BK WH - 249g | RB PB CH - 271g

Finishes

Bezel Finishes Aluminium | Black | White | Rubbed Bronze | Polished Brass | Chrome | *

Aperture Finishes Black | White | Satin Brass | *

* Please enquire as to the availability of non-standard Finishes

Optical

System Power 8.4W

Module Output 665lm**

Absolute Output 656lm**

LOR 99%

Glare Cut Off 36°

Glare Comfort Cut Off 80°

** Photometry shown is correct for 3000K module. Please enquire for 2700K module output.

Colour Temperature 2700K | 3000K

CRI 92 Typ

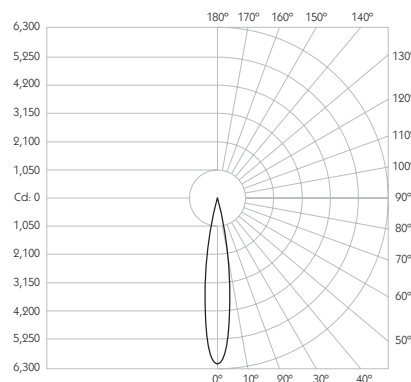
TM-30 Rf: 90 Rg: 99

Beam Angle 15°

Gear Type Dimmable Options Available

Gear Location Remote

Product Photometry independently tested in accordance with LM-79



Height	Beam Diameter	Illuminance (lx)
1m	0.26m	6,047 lx
2m	0.53m	1,152 lx
3m	0.79m	672 lx
4m	1.05m	378 lx
5m	1.32m	242 lx

Luminaire Code

RCD-637

Bezel Finish

AL	Brushed Aluminium
WH	White
BK	Black
RB	Rubbed Bronze
PB	Polished Brass
CH	Polished Chrome

Aperture Finish

BK	Black
WH	White
SB	Satin Brass

CCT

27	2700K
30	3000K

CRI

92

92 CRI

Beam Angle

15

15° Spot

RCD-637

92

15

PRECISION
LIGHTING

SALES@PRECISIONLIGHTING.CO.UK

WWW.PRECISIONLIGHTING.CO.UK

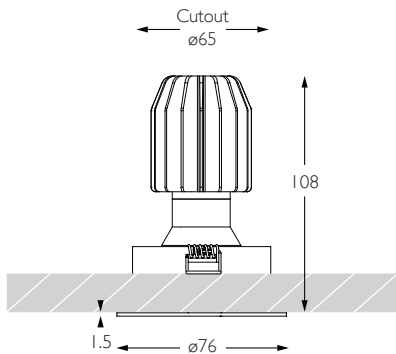
42 RIVERSIDE ROAD
LONDON SW17 0BA

t. +44 (0) 20 8947 6616
f. +44 (0) 20 8286 6626

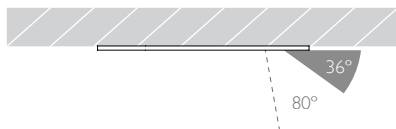
MINIMO 16 | IP54 ADJUSTABLE

Luminaires
spec sheet RCD-637

FLOOD | FLAT BEZEL

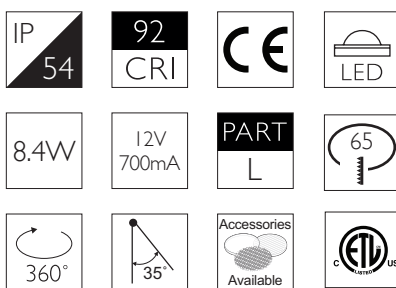


Glare Diagram



Cut Off: 36°

Glare Comfort Cut Off: 80°



Technical Description

Minimo 16 Adjustable is an IP54 recessed LED luminaire offering full adjustability with 360° pan and 35° tilt without breaking the ceiling line. Minimo 16 is perfect for use in colour-critical applications with 92CRI delivered from a single source LED module and available in two colour temperatures as standard. Tool-less, site changeable beam angles allow flexibility in varying environments. Machined from aerospace grade 6063-T6 aluminium or brass, Minimo 16 Adjustable features a flat bezel with a choice of six finishes and an interchangeable decorative aperture available in three finishes for complete aesthetic integration. Minimo 16 Adjustable delivers a lumen package of 665lm at 8.4W.

Mechanical

Category Interior use only IP54
Material Machined Aluminium | Brass
Configuration Flat | Chamfered Aperture
Cutout \varnothing 65mm
Ceiling Thickness 3 - 25mm
Ceiling Void 20mm above module
Pan 360° **Tilt** 35°
Weight AL BK WH - 249g | RB PB CH - 271g

Finishes

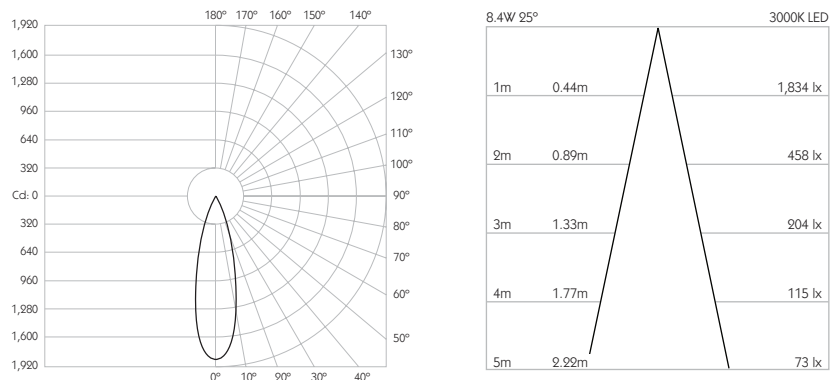
Bezel Finishes Aluminium | Black | White | Rubbed Bronze | Polished Brass | Chrome | *
Aperture Finishes Black | White | Satin Brass | *
 * Please enquire as to the availability of non-standard Finishes

Optical

System Power 8.4W
Module Output 665lm**
Absolute Output 569lm**
LOR 86%
Glare Cut Off 36°
Glare Comfort Cut Off 80°
Colour Temperature 2700K | 3000K
CRI 92 Typ
TM-30 Rf: 90 Rg: 99
Beam Angle 25°
Gear Type Dimmable Options Available
Gear Location Remote

** Photometry shown is correct for 3000K module. Please enquire for 2700K module output.

Product Photometry independently tested in accordance with LM-79



Luminaire Code	Bezel Finish	Aperture Finish	CCT	CRI	Beam Angle																										
RCD-637	<table border="1"> <tr><td>AL</td><td>Brushed Aluminium</td></tr> <tr><td>WH</td><td>White</td></tr> <tr><td>BK</td><td>Black</td></tr> <tr><td>RB</td><td>Rubbed Bronze</td></tr> <tr><td>PB</td><td>Polished Brass</td></tr> <tr><td>CH</td><td>Polished Chrome</td></tr> </table>	AL	Brushed Aluminium	WH	White	BK	Black	RB	Rubbed Bronze	PB	Polished Brass	CH	Polished Chrome	<table border="1"> <tr><td>BK</td><td>Black</td></tr> <tr><td>WH</td><td>White</td></tr> <tr><td>SB</td><td>Satin Brass</td></tr> </table>	BK	Black	WH	White	SB	Satin Brass	<table border="1"> <tr><td>27</td><td>2700K</td></tr> <tr><td>30</td><td>3000K</td></tr> </table>	27	2700K	30	3000K	<table border="1"> <tr><td>92</td><td>92 CRI</td></tr> </table>	92	92 CRI	<table border="1"> <tr><td>25</td><td>25° Flood</td></tr> </table>	25	25° Flood
AL	Brushed Aluminium																														
WH	White																														
BK	Black																														
RB	Rubbed Bronze																														
PB	Polished Brass																														
CH	Polished Chrome																														
BK	Black																														
WH	White																														
SB	Satin Brass																														
27	2700K																														
30	3000K																														
92	92 CRI																														
25	25° Flood																														
RCD-637	-	-	-	92	25																										

PRECISION
LIGHTING

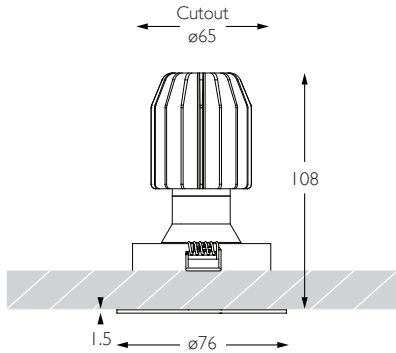
SALES@PRECISIONLIGHTING.CO.UK
WWW.PRECISIONLIGHTING.CO.UK

42 RIVERSIDE ROAD
LONDON SW17 0BA
t. +44 (0) 20 8947 6616
f. +44 (0) 20 8286 6626

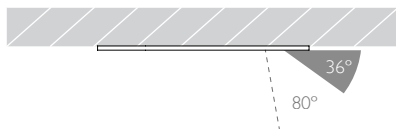
MINIMO 16 | IP54 ADJUSTABLE

Luminaires
spec sheet RCD-637

WIDE FLOOD | FLAT BEZEL

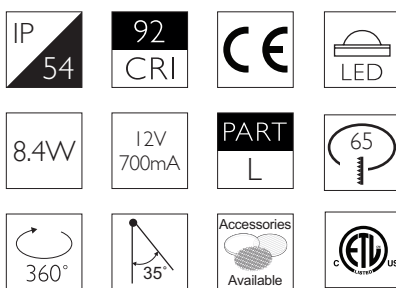


Glare Diagram



Cut Off: 36°

Glare Comfort Cut Off: 80°



Technical Description

Minimo 16 Adjustable is an IP54 recessed LED luminaire offering full adjustability with 360° pan and 35° tilt without breaking the ceiling line. Minimo 16 is perfect for use in colour-critical applications with 92CRI delivered from a single source LED module and available in two colour temperatures as standard. Tool-less, site changeable beam angles allow flexibility in varying environments. Machined from aerospace grade 6063-T6 aluminium or brass, Minimo 16 Adjustable features a flat bezel with a choice of six finishes and an interchangeable decorative aperture available in three finishes for complete aesthetic integration. Minimo 16 Adjustable delivers a lumen package of 665lm at 8.4W.

Mechanical

Category Interior use only IP54
Material Machined Aluminium | Brass
Configuration Flat | Chamfered Aperture
Cutout \varnothing 65mm
Ceiling Thickness 3 - 25mm
Ceiling Void 20mm above module
Pan 360° **Tilt** 35°
Weight AL BK WH - 249g | RB PB CH - 271g

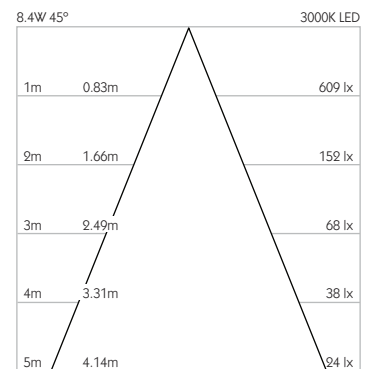
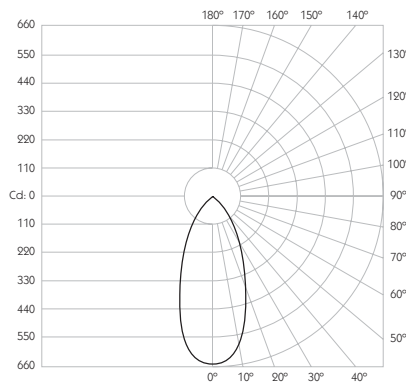
Finishes

Bezel Finishes Aluminium | Black | White | Rubbed Bronze | Polished Brass | Chrome | *
Aperture Finishes Black | White | Satin Brass | *
 * Please enquire as to the availability of non-standard Finishes

Optical

System Power 8.4W
Module Output 665lm**
Absolute Output 544lm**
LOR 82%
Glare Cut Off 36°
Glare Comfort Cut Off 80°
Colour Temperature 2700K | 3000K
CRI 92 Typ
TM-30 Rf: 90 Rg: 99
Beam Angle 45°
Gear Type Dimmable Options Available
Gear Location Remote
 ** Photometry shown is correct for 3000K module. Please enquire for 2700K module output.

Product Photometry independently tested in accordance with LM-79



Luminaire Code	Bezel Finish	Aperture Finish	CCT	CRI	Beam Angle																										
RCD-637	<table border="1"> <tr><td>AL</td><td>Brushed Aluminium</td></tr> <tr><td>WH</td><td>White</td></tr> <tr><td>BK</td><td>Black</td></tr> <tr><td>RB</td><td>Rubbed Bronze</td></tr> <tr><td>PB</td><td>Polished Brass</td></tr> <tr><td>CH</td><td>Polished Chrome</td></tr> </table>	AL	Brushed Aluminium	WH	White	BK	Black	RB	Rubbed Bronze	PB	Polished Brass	CH	Polished Chrome	<table border="1"> <tr><td>BK</td><td>Black</td></tr> <tr><td>WH</td><td>White</td></tr> <tr><td>SB</td><td>Satin Brass</td></tr> </table>	BK	Black	WH	White	SB	Satin Brass	<table border="1"> <tr><td>27</td><td>2700K</td></tr> <tr><td>30</td><td>3000K</td></tr> </table>	27	2700K	30	3000K	<table border="1"> <tr><td>92</td><td>92 CRI</td></tr> </table>	92	92 CRI	<table border="1"> <tr><td>45</td><td>45° Wide Flood</td></tr> </table>	45	45° Wide Flood
AL	Brushed Aluminium																														
WH	White																														
BK	Black																														
RB	Rubbed Bronze																														
PB	Polished Brass																														
CH	Polished Chrome																														
BK	Black																														
WH	White																														
SB	Satin Brass																														
27	2700K																														
30	3000K																														
92	92 CRI																														
45	45° Wide Flood																														
RCD-637	-	-	-	92	45																										

PRECISION
LIGHTING

SALES@PRECISIONLIGHTING.CO.UK
WWW.PRECISIONLIGHTING.CO.UK

42 RIVERSIDE ROAD
LONDON SW17 0BA
t. +44 (0) 20 8947 6616
f. +44 (0) 20 8286 6626