

DOMINO 2 RECESSED

12° NARROW BEAM



TECHNICAL DESCRIPTION

Domino 2 Recessed is a Constant Current multi source LED spotlight that is machined from aerospace grade aluminium 6063-T6 and comes as standard in white, black and brushed aluminium. It has five site-changeable beam distributions including elliptical beams. The narrow beam in our 4.48W 360lm module has a peak intensity of 3132cd.

MECHANICAL & ELECTRICAL

CATEGORY IP20	WATTAGE 4.48W
MATERIAL Machined AL 6063-T6	FORWARD VOLTAGE 6.4V
PAN N/A	DRIVE CURRENT 700mA
TILT N/A	SUPPLY TYPE Constant Current
LOCKABLE N/A	DRIVER LOCATION Remote
WEIGHT 104g 0.23lb	DIMMING DALI 0-10V 1-10V Casambi

MOUNTING





MOUNTING Recessed	CUTOUT ø44mm x 22mm (1.73" x 0.86")
CEILING THICKNESS 5-25mm (0.20-0.98")	MIN CEILING VOID 20mm (0.79") clearance above

FINISHES

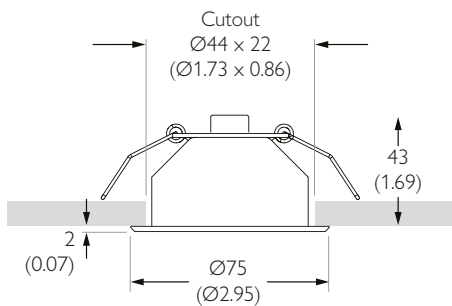
FINISHES Brushed Aluminium | Black RAL9005 | White RAL9010

*Premium & custom finishes are built & finished to order. These are subject to an extended lead time & MOQ.

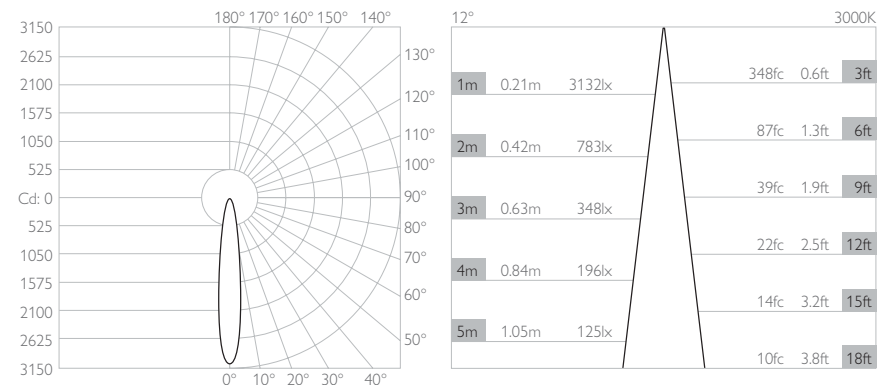
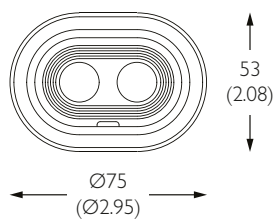
OPTICAL & STANDARDS

NOMINAL LUMENS 360lm	BEAM ANGLE 12°
DELIVERED LUMENS 328lm	CRI 95 TYP
COLOUR TEMPERATURE 2700K 3000K	TM-30 RF: 93 RG: 99
ACCESSORY HOLDER N/A	WARRANTY 5 Years
ACCESSORIES N/A	LIFETIME L90B10 100,000hrs
TM65 8.83kgCO2e	STANDARDS
TM66 2.2	   

Photometry shown is for 3000K module. Please enquire for other CCT photometry.



mm (inches)



LUMINAIRE FINISH

White 9010	Black 9005	Brushed Aluminium	Rubbed Bronze*	Polished Brass*	Brushed Brass*
TX-652-WH-XX9512	TX-652-BK-XX9512	TX-652-AL-XX9512			

*All premium & custom finishes are built & finished to order. These are subject to an extended lead time & MOQ

For 3000K Substitute XX with 30

For 2700K Substitute XX with 27

DOMINO 2 RECESSED

30° FLOOD BEAM



TECHNICAL DESCRIPTION

Domino 2 Recessed is a Constant Current multi source LED spotlight that is machined from aerospace grade aluminium 6063-T6 and comes as standard in white, black and brushed aluminium. It has five site-changeable beam distributions including elliptical beams. The flood beam in our 4.48W 360lm module has a peak intensity of 940cd.

MECHANICAL & ELECTRICAL

CATEGORY IP20	WATTAGE 4.48W
MATERIAL Machined AL 6063-T6	FORWARD VOLTAGE 6.4V
PAN N/A	DRIVE CURRENT 700mA
TILT N/A	SUPPLY TYPE Constant Current
LOCKABLE N/A	DRIVER LOCATION Remote
WEIGHT 104g 0.23lb	DIMMING DALI 0-10V 1-10V Casambi

MOUNTING





MOUNTING Recessed	CUTOUT ø44mm x 22mm (1.73" x 0.86")
CEILING THICKNESS 5-25mm (0.20-0.98")	MIN CEILING VOID 20mm (0.79") clearance above

FINISHES

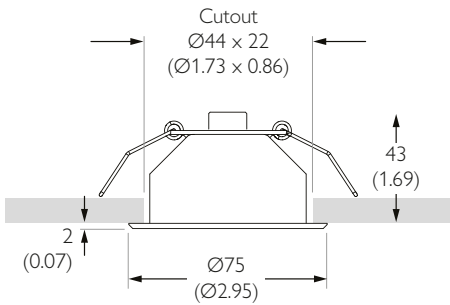
FINISHES Brushed Aluminium | Black RAL9005 | White RAL9010

*Premium & custom finishes are built & finished to order. These are subject to an extended lead time & MOQ.

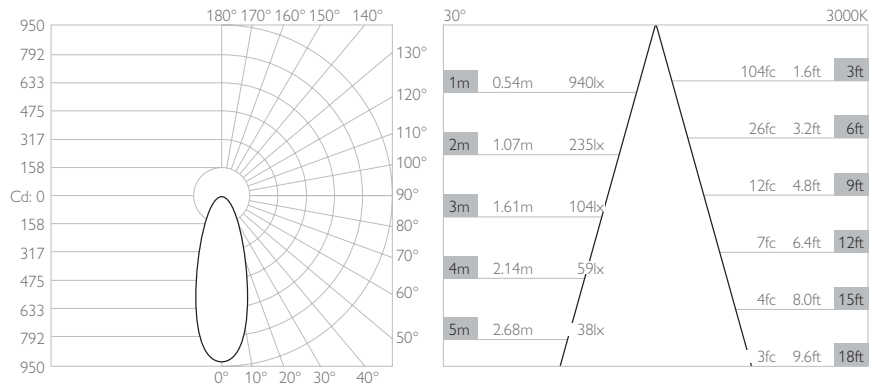
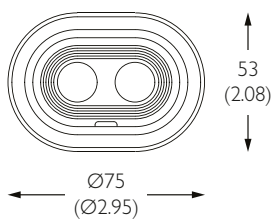
OPTICAL & STANDARDS

NOMINAL LUMENS 360lm	BEAM ANGLE 30°
DELIVERED LUMENS 300lm	CRI 95 TYP
COLOUR TEMPERATURE 2700K 3000K	TM-30 RF: 93 RG: 99
ACCESSORY HOLDER N/A	WARRANTY 5 Years
ACCESSORIES N/A	LIFETIME L90B10 100,000hrs
TM65 8.83kgCO2e	STANDARDS
TM66 2.2	   

Photometry shown is for 3000K module. Please enquire for other CCT photometry.



mm (inches)



LUMINAIRE FINISH

White 9010	Black 9005	Brushed Aluminium	Rubbed Bronze*	Polished Brass*	Brushed Brass*
TX-652-WH-XX9530	TX-652-BK-XX9530	TX-652-AL-XX9530			

*All premium & custom finishes are built & finished to order. These are subject to an extended lead time & MOQ

For 3000K Substitute XX with 30

For 2700K Substitute XX with 27

DOMINO 2 RECESSED

60° WIDE FLOOD BEAM



TECHNICAL DESCRIPTION

Domino 2 Recessed is a Constant Current multi source LED spotlight that is machined from aerospace grade aluminium 6063-T6 and comes as standard in white, black and brushed aluminium. It has five site-changeable beam distributions including elliptical beams. The wide flood beam in our 4.48W 360lm module has a peak intensity of 326cd.

MECHANICAL & ELECTRICAL

CATEGORY IP20	WATTAGE 4.48W
MATERIAL Machined AL 6063-T6	FORWARD VOLTAGE 6.4V
PAN N/A	DRIVE CURRENT 700mA
TILT N/A	SUPPLY TYPE Constant Current
LOCKABLE N/A	DRIVER LOCATION Remote
WEIGHT 104g 0.23lb	DIMMING DALI 0-10V 1-10V Casambi

MOUNTING





MOUNTING Recessed	CUTOUT ø44mm x 22mm (1.73" x 0.86")
CEILING THICKNESS 5-25mm (0.20-0.98")	MIN CEILING VOID 20mm (0.79") clearance above

FINISHES

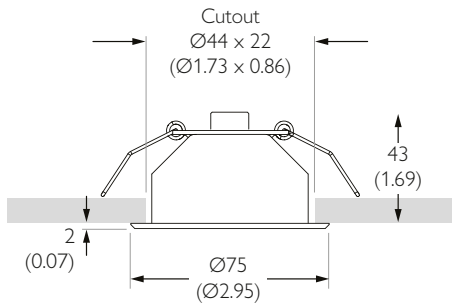
FINISHES Brushed Aluminium | Black RAL9005 | White RAL9010

*Premium & custom finishes are built & finished to order. These are subject to an extended lead time & MOQ.

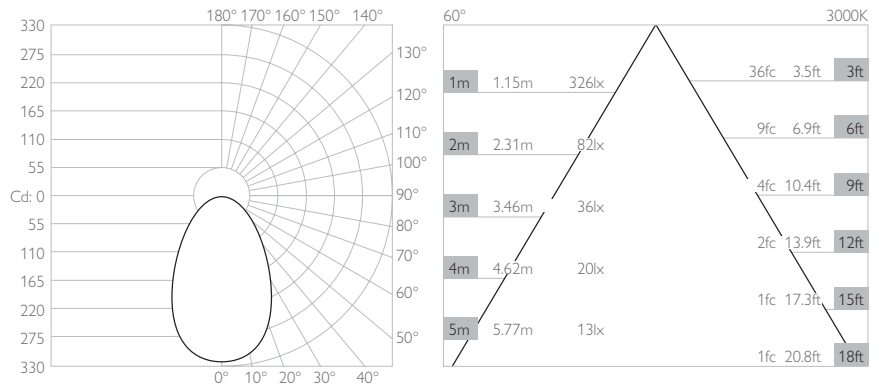
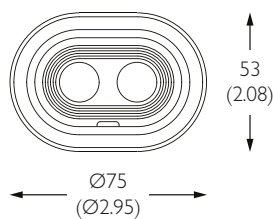
OPTICAL & STANDARDS

NOMINAL LUMENS 360lm	BEAM ANGLE 60°
DELIVERED LUMENS 326lm	CRI 95 TYP
COLOUR TEMPERATURE 2700K 3000K	TM-30 RF: 93 RG: 99
ACCESSORY HOLDER N/A	WARRANTY 5 Years
ACCESSORIES N/A	LIFETIME L90B10 100,000hrs
TM65 8.83kgCO2e	STANDARDS
TM66 2.2	   

Photometry shown is for 3000K module. Please enquire for other CCT photometry.



mm (inches)



LUMINAIRE FINISH

White 9010	Black 9005	Brushed Aluminium	Rubbed Bronze*	Polished Brass*	Brushed Brass*
TX-652-WH-XX9560	TX-652-BK-XX9560	TX-652-AL-XX9560			

*All premium & custom finishes are built & finished to order. These are subject to an extended lead time & MOQ

For 3000K Substitute XX with 30

For 2700K Substitute XX with 27

DOMINO 2 RECESSED

12X35° ELLIPSE BEAM



TECHNICAL DESCRIPTION

Domino 2 Recessed is a Constant Current multi source LED spotlight that is machined from aerospace grade aluminium 6063-T6 and comes as standard in white, black and brushed aluminium. It has five site-changeable beam distributions including elliptical beams. The ellipse beam in our 4.48W 360lm module has a peak intensity of 1944cd.

MECHANICAL & ELECTRICAL

CATEGORY IP20

MATERIAL Machined AL 6063-T6

PAN N/A

TILT N/A

LOCKABLE N/A

WEIGHT 104g | 0.23lb

WATTAGE 4.48W

FORWARD VOLTAGE 6.4V

DRIVE CURRENT 700mA

SUPPLY TYPE Constant Current

DRIVER LOCATION Remote

DIMMING DALI | 0-10V | 1-10V | Casambi

MOUNTING

MOUNTING Recessed

CEILING THICKNESS 5-25mm (0.20-0.98")

CUTOUT ø44mm x 22mm (1.73" x 0.86")

MIN CEILING VOID 20mm (0.79") clearance above

FINISHES

FINISHES Brushed Aluminium | Black RAL9005 | White RAL9010

*Premium & custom finishes are built & finished to order. These are subject to an extended lead time & MOQ.

OPTICAL & STANDARDS

NOMINAL LUMENS 360lm

DELIVERED LUMENS 328lm

COLOUR TEMPERATURE 2700K | 3000K

ACCESSORY HOLDER N/A

ACCESSORIES N/A

TM65 8.83kgCO2e

TM66 2.2

BEAM ANGLE 12x35°

CRI 95 TYP

TM-30 RF: 93 RG: 99

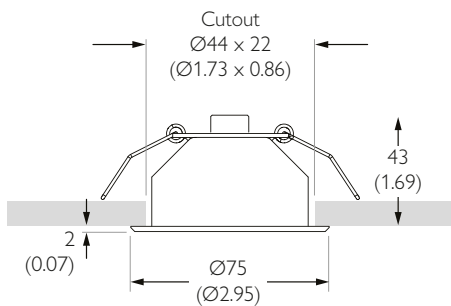
WARRANTY 5 Years

LIFETIME L90B10 100,000hrs

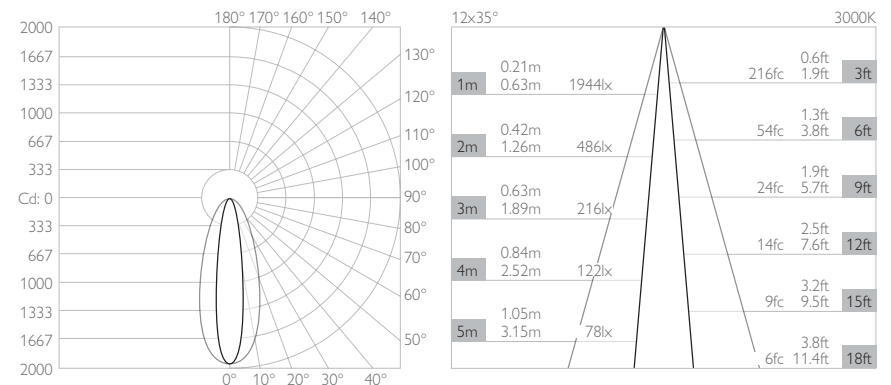
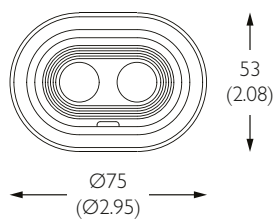
STANDARDS



Photometry shown is for 3000K module. Please enquire for other CCT photometry.



mm (inches)



DOMINO 2 RECESSED

35X12° VERTICAL ELLIPSE BEAM



TECHNICAL DESCRIPTION

Domino 2 Recessed is a Constant Current multi source LED spotlight that is machined from aerospace grade aluminium 6063-T6 and comes as standard in white, black and brushed aluminium. It has five site-changeable beam distributions including elliptical beams. The vertical ellipse beam in our 4.48W 360lm module has a peak intensity of 1944cd.

MECHANICAL & ELECTRICAL

CATEGORY IP20	WATTAGE 4.48W
MATERIAL Machined AL 6063-T6	FORWARD VOLTAGE 6.4V
PAN N/A	DRIVE CURRENT 700mA
TILT N/A	SUPPLY TYPE Constant Current
LOCKABLE N/A	DRIVER LOCATION Remote
WEIGHT 104g 0.23lb	DIMMING DALI 0-10V 1-10V Casambi

MOUNTING





MOUNTING Recessed	CUTOUT ø44mm x 22mm (1.73" x 0.86")
CEILING THICKNESS 5-25mm (0.20-0.98")	MIN CEILING VOID 20mm (0.79") clearance above

FINISHES

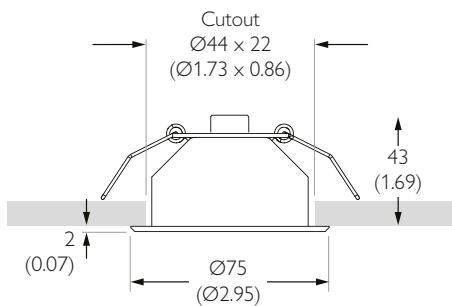
FINISHES Brushed Aluminium | Black RAL9005 | White RAL9010

*Premium & custom finishes are built & finished to order. These are subject to an extended lead time & MOQ.

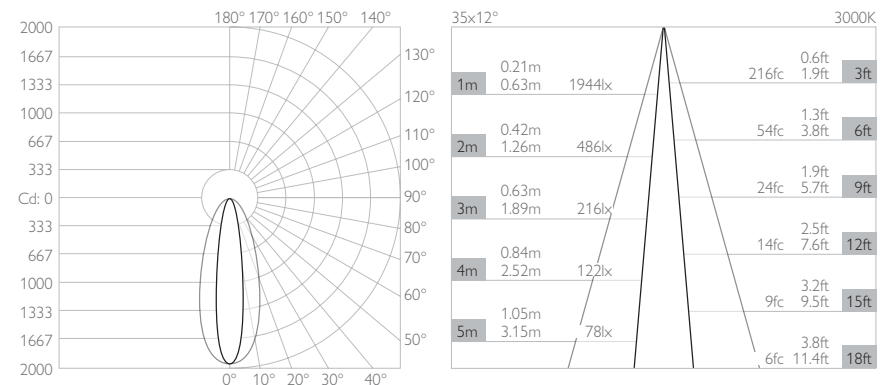
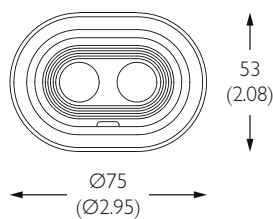
OPTICAL & STANDARDS

NOMINAL LUMENS 360lm	BEAM ANGLE 35x12°
DELIVERED LUMENS 328lm	CRI 95 TYP
COLOUR TEMPERATURE 2700K 3000K	TM-30 RF: 93 RG: 99
ACCESSORY HOLDER N/A	WARRANTY 5 Years
ACCESSORIES N/A	LIFETIME L90B10 100,000hrs
TM65 8.83kgCO2e	STANDARDS
TM66 2.2	   

Photometry shown is for 3000K module. Please enquire for other CCT photometry.



mm (inches)



LUMINAIRE FINISH

White 9010	Black 9005	Brushed Aluminium	Rubbed Bronze*	Polished Brass*	Brushed Brass*
TX-652-WH-XX95E2	TX-652-BK-XX95E2	TX-652-AL-XX95E2			

*All premium & custom finishes are built & finished to order. These are subject to an extended lead time & MOQ

For 3000K Substitute XX with 30

For 2700K Substitute XX with 27