

MINIMO 16 FIXED

11° ULTRA NARROW BEAM



TECHNICAL DESCRIPTION

Minimo 16 Fixed is a Constant Current single source LED downlight that is machined from aerospace grade aluminium 6063-T6 and comes as standard in white and black along with a range of premium finishes. It has five site-changeable optics for flexible beam distribution. The ultra narrow beam in our 8.40W 700lm module has a peak intensity of 12512cd. The integral accessory holder can accommodate 32mm lenses and louvers.

MECHANICAL & ELECTRICAL

CATEGORY IP20

MATERIAL Machined AL 6063-T6

PAN N/A

TILT N/A

LOCKABLE N/A

WEIGHT 249g | 0.55lb

WATTAGE 8.40W

FORWARD VOLTAGE 12V

DRIVE CURRENT 700mA

SUPPLY TYPE Constant Current

DRIVER LOCATION Remote

DIMMING DALI | 0-10V | 1-10V | Casambi

MOUNTING

MOUNTING Recessed

CEILING THICKNESS 3-25mm (0.12-0.98")

CUTOUT ø65mm (2.56")

MIN CEILING VOID 20mm (0.79") clearance above

FINISHES

FINISHES Brushed Aluminium | White RAL9010 | Black RAL9005 | Rubbed Bronze* | Polished Brass* | Polished Chrome*

*Premium & custom finishes are built & finished to order. These are subject to an extended lead time & MOQ.

OPTICAL & STANDARDS

NOMINAL LUMENS 700lm

DELIVERED LUMENS 661lm

COLOUR TEMPERATURE 2700K | 3000K

ACCESSORY HOLDER Integral

ACCESSORIES Louver | Lenses 32mm

TM65 13.09kgCO2e

TM66 2.2

BEAM ANGLE 11°

CRI 92 TYP

TM-30 RF: 90 RG: 99

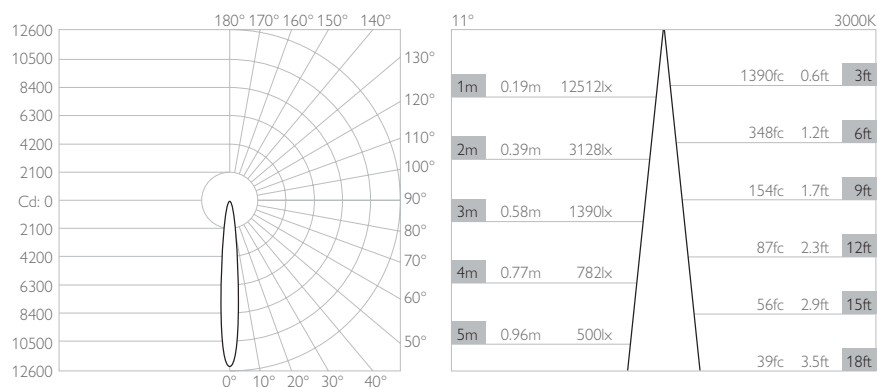
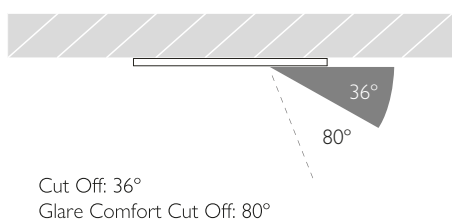
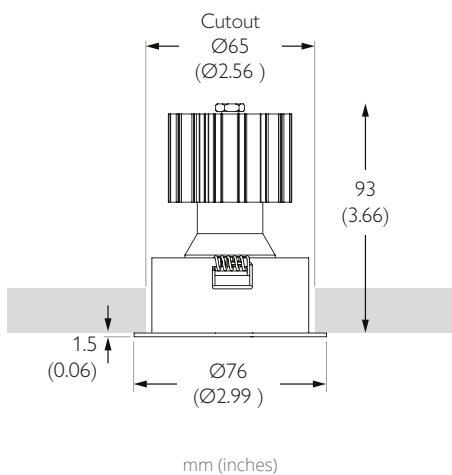
WARRANTY 5 Years

LIFETIME L90B10 100,000hrs

STANDARDS



Photometry shown is for 3000K module. Please enquire for other CCT photometry.



TRIM FINISH	APERTURE FINISH	LED CCT	BEAM ANGLE	
RCD-631	<ul style="list-style-type: none"> W White RAL9010 B Black RAL9005 A Brushed Aluminium R Rubbed Bronze* P Polished Brass* C Polished Chrome* 	<ul style="list-style-type: none"> W White RAL9010 B Black RAL9005 G Matt Gold Paint* 	<ul style="list-style-type: none"> 2792 2700K 92CRI 3092 3000K 92CRI 4092 4000K 92CRI 	<ul style="list-style-type: none"> UN Ultra Narrow NA Narrow ME Medium FL Flood WF Wide Flood

Example Code: RCD-631-WB-3092UN

*Premium & custom finishes are built to order, subject to an extended lead time & MOQ

MINIMO 16 FIXED

14° NARROW BEAM



TECHNICAL DESCRIPTION

Minimo 16 Fixed is a Constant Current single source LED downlight that is machined from aerospace grade aluminium 6063-T6 and comes as standard in white and black along with a range of premium finishes. It has five site-changeable optics for flexible beam distribution. The narrow beam in our 8.40W 700lm module has a peak intensity of 8971cd. The integral accessory holder can accommodate 32mm lenses and louvers.

MECHANICAL & ELECTRICAL

CATEGORY IP20	WATTAGE 8.40W
MATERIAL Machined AL 6063-T6	FORWARD VOLTAGE 12V
PAN N/A	DRIVE CURRENT 700mA
TILT N/A	SUPPLY TYPE Constant Current
LOCKABLE N/A	DRIVER LOCATION Remote
WEIGHT 249g 0.55lb	DIMMING DALI 0-10V 1-10V Casambi

MOUNTING

MOUNTING Recessed	CUTOUT ø65mm (2.56")
CEILING THICKNESS 3-25mm (0.12-0.98")	MIN CEILING VOID 20mm (0.79") clearance above

FINISHES

FINISHES Brushed Aluminium | White RAL9010 | Black RAL9005 | Rubbed Bronze* | Polished Brass* | Polished Chrome*

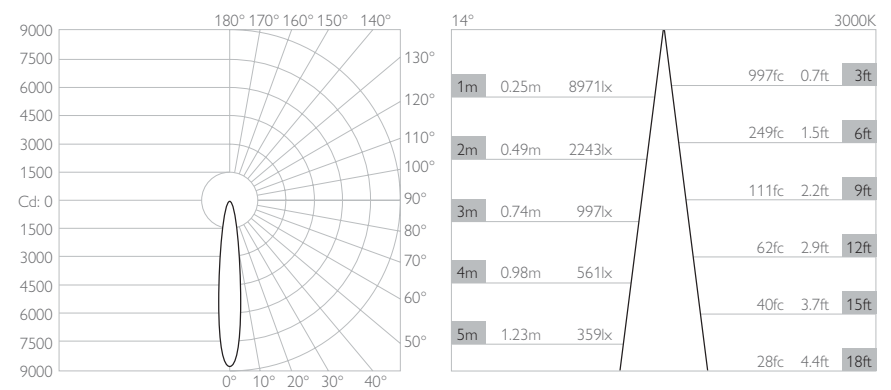
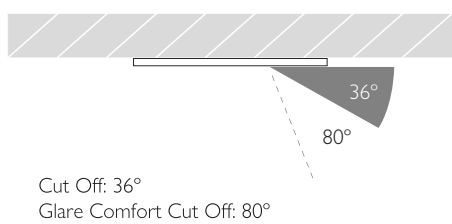
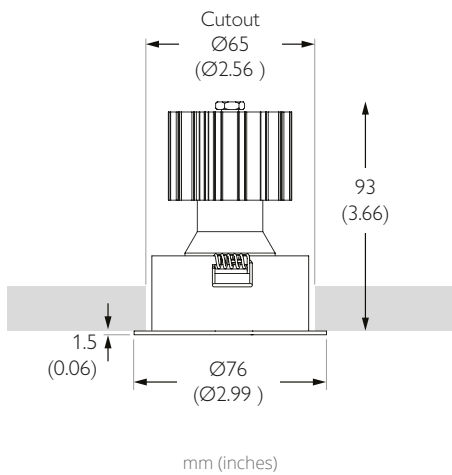
*Premium & custom finishes are built & finished to order. These are subject to an extended lead time & MOQ.

OPTICAL & STANDARDS

NOMINAL LUMENS 700lm	BEAM ANGLE 14°
DELIVERED LUMENS 650lm	CRI 92 TYP
COLOUR TEMPERATURE 2700K 3000K	TM-30 RF: 90 RG: 99
ACCESSORY HOLDER Integral	WARRANTY 5 Years
ACCESSORIES Louver Lenses 32mm	LIFETIME L90B10 100,000hrs
TM65 13.09kgCO2e	STANDARDS
TM66 2.2	



Photometry shown is for 3000K module. Please enquire for other CCT photometry.



TRIM FINISH	APERTURE FINISH	LED CCT	BEAM ANGLE
RCD-631			
<ul style="list-style-type: none"> W White RAL9010 B Black RAL9005 A Brushed Aluminium R Rubbed Bronze* P Polished Brass* C Polished Chrome* 	<ul style="list-style-type: none"> W White RAL9010 B Black RAL9005 G Matt Gold Paint* 	<ul style="list-style-type: none"> 2792 2700K 92CRI 3092 3000K 92CRI 4092 4000K 92CRI 	<ul style="list-style-type: none"> UN Ultra Narrow NA Narrow ME Medium FL Flood WF Wide Flood

Example Code: RCD-631-WB-3092NA

*Premium & custom finishes are built to order, subject to an extended lead time & MOQ

MINIMO 16 FIXED

18° MEDIUM BEAM



TECHNICAL DESCRIPTION

Minimo 16 Fixed is a Constant Current single source LED downlight that is machined from aerospace grade aluminium 6063-T6 and comes as standard in white and black along with a range of premium finishes. It has five site-changeable optics for flexible beam distribution. The medium beam in our 8.40W 700lm module has a peak intensity of 5754cd. The integral accessory holder can accommodate 32mm lenses and louvers.

MECHANICAL & ELECTRICAL

CATEGORY IP20	WATTAGE 8.40W
MATERIAL Machined AL 6063-T6	FORWARD VOLTAGE 12V
PAN N/A	DRIVE CURRENT 700mA
TILT N/A	SUPPLY TYPE Constant Current
LOCKABLE N/A	DRIVER LOCATION Remote
WEIGHT 249g 0.55lb	DIMMING DALI 0-10V 1-10V Casambi

MOUNTING

MOUNTING Recessed	CUTOUT ø65mm (2.56")
CEILING THICKNESS 3-25mm (0.12-0.98")	MIN CEILING VOID 20mm (0.79") clearance above

FINISHES

FINISHES Brushed Aluminium | White RAL9010 | Black RAL9005 | Rubbed Bronze* | Polished Brass* | Polished Chrome*

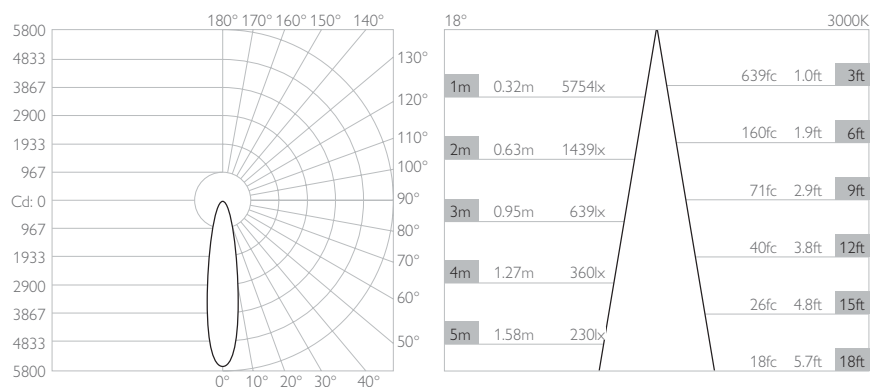
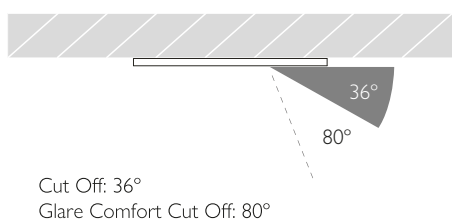
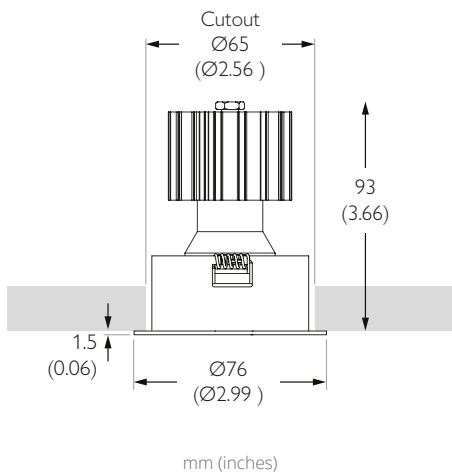
*Premium & custom finishes are built & finished to order. These are subject to an extended lead time & MOQ.

OPTICAL & STANDARDS

NOMINAL LUMENS 700lm	BEAM ANGLE 18°
DELIVERED LUMENS 643lm	CRI 92 TYP
COLOUR TEMPERATURE 2700K 3000K	TM-30 RF: 90 RG: 99
ACCESSORY HOLDER Integral	WARRANTY 5 Years
ACCESSORIES Louver Lenses 32mm	LIFETIME L90B10 100,000hrs
TM65 13.09kgCO2e	STANDARDS
TM66 2.2	



Photometry shown is for 3000K module. Please enquire for other CCT photometry.



TRIM FINISH	APERTURE FINISH	LED CCT	BEAM ANGLE	
RCD-631	<ul style="list-style-type: none"> W White RAL9010 B Black RAL9005 A Brushed Aluminium R Rubbed Bronze* P Polished Brass* C Polished Chrome* 	<ul style="list-style-type: none"> W White RAL9010 B Black RAL9005 G Matt Gold Paint* 	<ul style="list-style-type: none"> 2792 2700K 92CRI 3092 3000K 92CRI 4092 4000K 92CRI 	<ul style="list-style-type: none"> UN Ultra Narrow NA Narrow ME Medium FL Flood WF Wide Flood

Example Code: RCD-631-WB-3092ME

*Premium & custom finishes are built to order, subject to an extended lead time & MOQ

MINIMO 16 FIXED

30° FLOOD BEAM



TECHNICAL DESCRIPTION

Minimo 16 Fixed is a Constant Current single source LED downlight that is machined from aerospace grade aluminium 6063-T6 and comes as standard in white and black along with a range of premium finishes. It has five site-changeable optics for flexible beam distribution. The flood beam in our 8.40W 700lm module has a peak intensity of 1813cd. The integral accessory holder can accommodate 32mm lenses and louvers.

MECHANICAL & ELECTRICAL

CATEGORY IP20

MATERIAL Machined AL 6063-T6

PAN N/A

TILT N/A

LOCKABLE N/A

WEIGHT 249g | 0.55lb

WATTAGE 8.40W

FORWARD VOLTAGE 12V

DRIVE CURRENT 700mA

SUPPLY TYPE Constant Current

DRIVER LOCATION Remote

DIMMING DALI | 0-10V | 1-10V | Casambi

MOUNTING

MOUNTING Recessed

CEILING THICKNESS 3-25mm (0.12-0.98")

CUTOUT ø65mm (2.56")

MIN CEILING VOID 20mm (0.79") clearance above

FINISHES

FINISHES Brushed Aluminium | White RAL9010 | Black RAL9005 | Rubbed Bronze* | Polished Brass* | Polished Chrome*

*Premium & custom finishes are built & finished to order. These are subject to an extended lead time & MOQ.

OPTICAL & STANDARDS

NOMINAL LUMENS 700lm

DELIVERED LUMENS 555lm

COLOUR TEMPERATURE 2700K | 3000K

ACCESSORY HOLDER Integral

ACCESSORIES Louver | Lenses 32mm

TM65 13.09kgCO2e

TM66 2.2

BEAM ANGLE 30°

CRI 92 TYP

TM-30 RF: 90 RG: 99

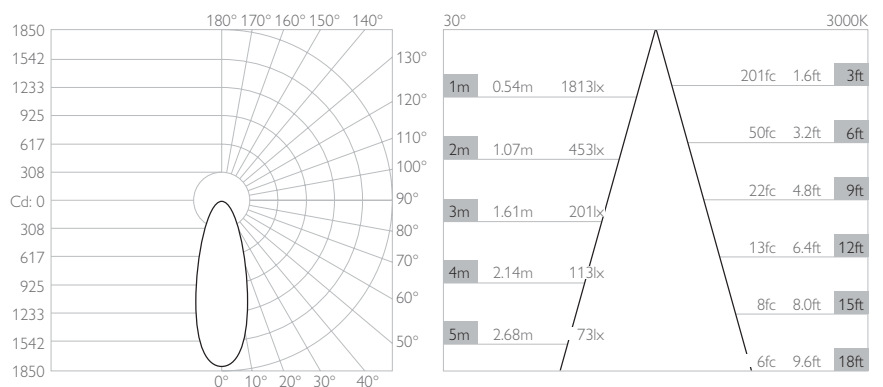
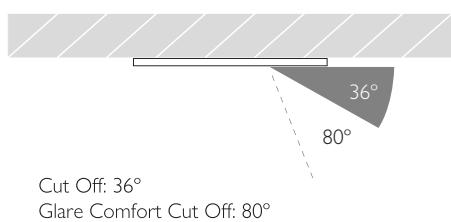
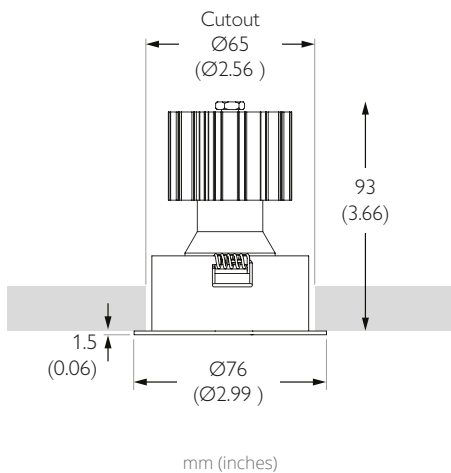
WARRANTY 5 Years

LIFETIME L90B10 100,000hrs

STANDARDS



Photometry shown is for 3000K module. Please enquire for other CCT photometry.



TRIM FINISH	APERTURE FINISH	LED CCT	BEAM ANGLE	
RCD-631	<ul style="list-style-type: none"> W White RAL9010 B Black RAL9005 A Brushed Aluminium R Rubbed Bronze* P Polished Brass* C Polished Chrome* 	<ul style="list-style-type: none"> W White RAL9010 B Black RAL9005 G Matt Gold Paint* 	<ul style="list-style-type: none"> 2792 2700K 92CRI 3092 3000K 92CRI 4092 4000K 92CRI 	<ul style="list-style-type: none"> UN Ultra Narrow NA Narrow ME Medium FL Flood WF Wide Flood

Example Code: RCD-631-WB-3092FL

*Premium & custom finishes are built to order, subject to an extended lead time & MOQ

MINIMO 16 FIXED

50° WIDE FLOOD BEAM



TECHNICAL DESCRIPTION

Minimo 16 Fixed is a Constant Current single source LED downlight that is machined from aerospace grade aluminium 6063-T6 and comes as standard in white and black along with a range of premium finishes. It has five site-changeable optics for flexible beam distribution. The wide flood beam in our 8.40W 700lm module has a peak intensity of 660cd. The integral accessory holder can accommodate 32mm lenses and louvers.

MECHANICAL & ELECTRICAL

CATEGORY IP20

MATERIAL Machined AL 6063-T6

PAN N/A

TILT N/A

LOCKABLE N/A

WEIGHT 249g | 0.55lb

WATTAGE 8.40W

FORWARD VOLTAGE 12V

DRIVE CURRENT 700mA

SUPPLY TYPE Constant Current

DRIVER LOCATION Remote

DIMMING DALI | 0-10V | 1-10V | Casambi

MOUNTING

MOUNTING Recessed

CEILING THICKNESS 3-25mm (0.12-0.98")

CUTOUT ø65mm (2.56")

MIN CEILING VOID 20mm (0.79") clearance above

FINISHES

FINISHES Brushed Aluminium | White RAL9010 | Black RAL9005 | Rubbed Bronze* | Polished Brass* | Polished Chrome*

*Premium & custom finishes are built & finished to order. These are subject to an extended lead time & MOQ.

OPTICAL & STANDARDS

NOMINAL LUMENS 700lm

DELIVERED LUMENS 546lm

COLOUR TEMPERATURE 2700K | 3000K

ACCESSORY HOLDER Integral

ACCESSORIES Louver | Lenses 32mm

TM65 13.09kgCO2e

TM66 2.2

BEAM ANGLE 50°

CRI 92 TYP

TM-30 RF: 90 RG: 99

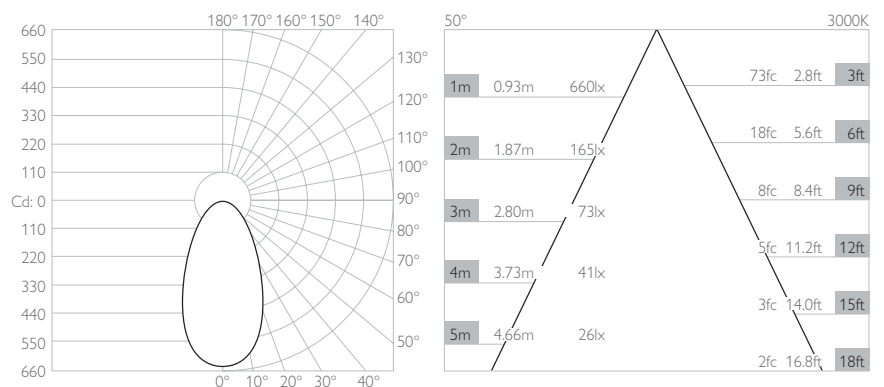
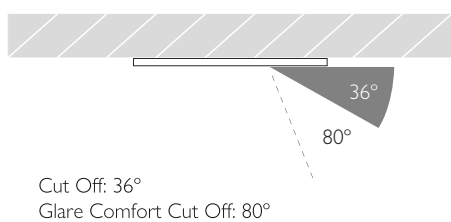
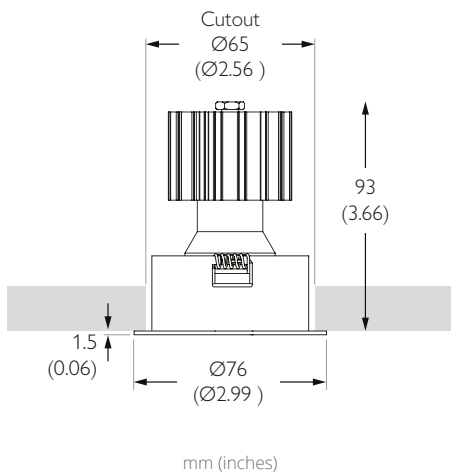
WARRANTY 5 Years

LIFETIME L90B10 100,000hrs

STANDARDS



Photometry shown is for 3000K module. Please enquire for other CCT photometry.



TRIM FINISH	APERTURE FINISH	LED CCT	BEAM ANGLE	
RCD-631	<ul style="list-style-type: none"> W White RAL9010 B Black RAL9005 A Brushed Aluminium R Rubbed Bronze* P Polished Brass* C Polished Chrome* 	<ul style="list-style-type: none"> W White RAL9010 B Black RAL9005 G Matt Gold Paint* 	<ul style="list-style-type: none"> 2792 2700K 92CRI 3092 3000K 92CRI 4092 4000K 92CRI 	<ul style="list-style-type: none"> UN Ultra Narrow NA Narrow ME Medium FL Flood WF Wide Flood

Example Code: RCD-631-WB-3092WF

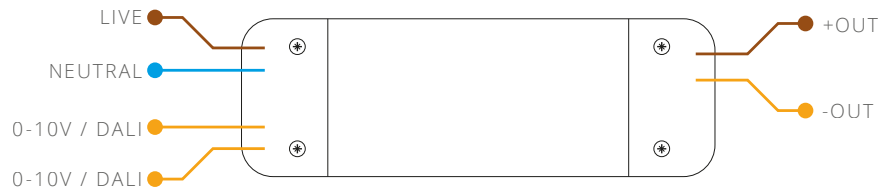
*Premium & custom finishes are built to order, subject to an extended lead time & MOQ

MINIMO PRO - INTENSE LIGHT ENGINE

DRIVER COMPATIBILITY

20W | DIMMING: DALI OR 0-10V

NO. OF LIGHTS PER DRIVER 1 to 2 in series
 MIN DIM LEVEL 0.1%
 VOLTAGE REGION 230V
 FOR NORTH AMERICA No
 WATTAGE 20W
 SUPPLY TYPE Constant Current
 DRIVER LOCATION Remote
 MANUFACTURER Eldoled
 PASS THROUGH CUTOUT Yes



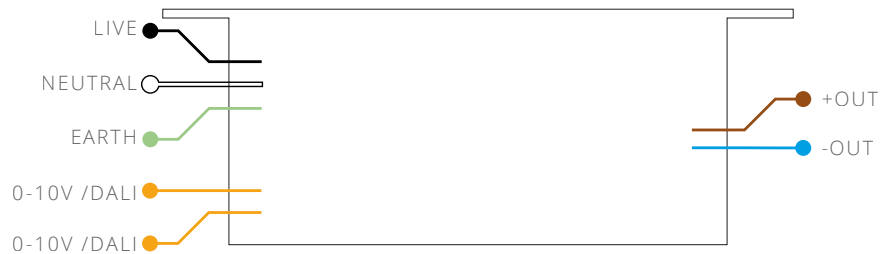
DALI CODE PSCC-20-700-D-EL
 0-10V CODE PSCC-20-700-A-EL

LENGTH 160mm (6.30") WIDTH 41mm (1.63") HEIGHT 30mm (1.18")



30W | DIMMING: DALI OR 0-10V

NO. OF LIGHTS PER DRIVER 1 to 3 in series
 MIN DIM LEVEL 0.1%
 VOLTAGE REGION 120V
 FOR NORTH AMERICA Yes
 WATTAGE 30W
 SUPPLY TYPE Constant Current
 DRIVER LOCATION Remote
 MANUFACTURER Eldoled



DALI CODE USCC-30-700-D-EL-ENC
 0-10V CODE USCC-30-700-A-EL-ENC

LENGTH 348mm (13.7") WIDTH 65mm (2.6") HEIGHT 47mm (1.9")



12W | DIMMING: PHASE

NO. OF LIGHTS PER DRIVER 1
 MIN DIM LEVEL 1%
 VOLTAGE REGION 120V
 FOR NORTH AMERICA Yes
 WATTAGE 12W
 SUPPLY TYPE Constant Current
 DRIVER LOCATION Remote
 MANUFACTURER Hatch



PHASE CODE USCC-12-700-P-HT-ENC

LENGTH 247mm (9.7") WIDTH 65mm (2.6") HEIGHT 47mm (1.9")

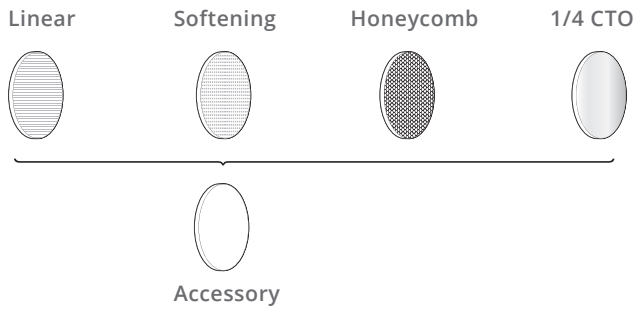


MINIMO 16

FOR USE WITH MINIMO PRO | PLUS | DYNAMIC WHITE

ACCESSORIES

The Minimo 16 Pro | Plus | Dynamic White can accommodate 1 accessory with no additional holder required as standard.



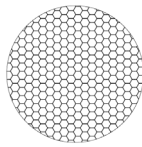
Honeycomb Louvre

Enhances glare control

THICKNESS 3.2mm (0.126")

DAIMETER 32mm (1.260")

PART CODE 995-32-BK



1/4 CTO Dichroic

CCT warming - approx 300K

THICKNESS 1.8mm (0.071")

DAIMETER 32mm (1.260")

PART CODE 997-1/4CTO-32



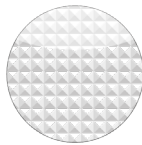
Softening Lens

Heavy Diffusion of beam

THICKNESS 3.2mm (0.126")

DAIMETER 32mm (1.260")

PART CODE 991-32



Linear Lens

Elongates beam

THICKNESS 3.9mm (0.154")

DAIMETER 32mm (1.260")

PART CODE 992-32

