

MINIMO 16 PLUS FIXED

19° NARROW BEAM



TECHNICAL DESCRIPTION

Minimo 16 Plus Fixed is a Constant Current single source pro-series downlight that is machined from aerospace grade aluminium 6063-T6 and comes as standard in white and black along with a range of premium finishes. It has four site-changeable optics for flexible beam distribution. The narrow beam in our 12.60W 1200lm module has a peak intensity of 6389cd. The integral accessory holder can accommodate 32mm lenses and louvers.

MECHANICAL & ELECTRICAL

CATEGORY IP20

MATERIAL Machined AL 6063-T6

PAN N/A

TILT N/A

LOCKABLE N/A

WEIGHT 249g | 0.55lb

WATTAGE 12.60W

FORWARD VOLTAGE 18V

DRIVE CURRENT 700mA

SUPPLY TYPE Constant Current

DRIVER LOCATION Remote

DIMMING DALI | 0-10V | 1-10V | Casambi

MOUNTING

MOUNTING Recessed

CEILING THICKNESS 3-25mm (0.12-0.98")

CUTOUT ø65mm (2.56")

MIN CEILING VOID 20mm (0.79") clearance above

FINISHES

FINISHES Brushed Aluminium | White RAL9010 | Black RAL9005 | Rubbed Bronze* | Polished Brass* | Polished Chrome*

*Premium & custom finishes are built & finished to order. These are subject to an extended lead time & MOQ.

OPTICAL & STANDARDS

NOMINAL LUMENS 1200lm

DELIVERED LUMENS 887lm

COLOUR TEMPERATURE 2400K | 2700K | 3000K

ACCESSORY HOLDER Integral

ACCESSORIES Louver | Lenses 32mm

TM65 13.09kgCO2e

TM66 2.2

BEAM ANGLE 19°

CRI 92 TYP - 2400K | 98 TYP - 2700K/3000K

TM-30 RF: 95 RG: 101

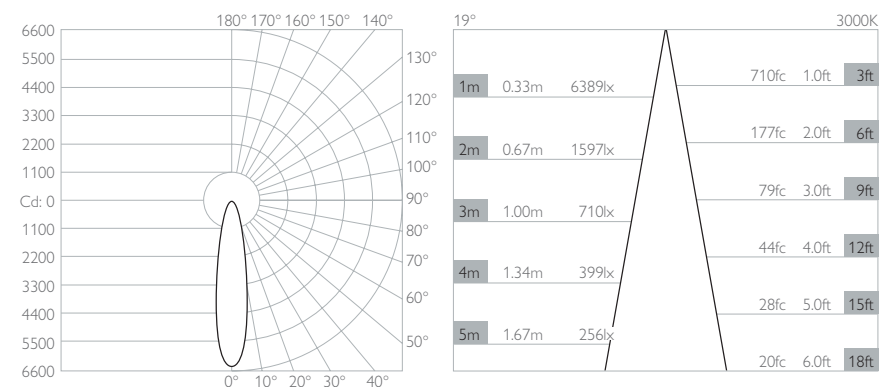
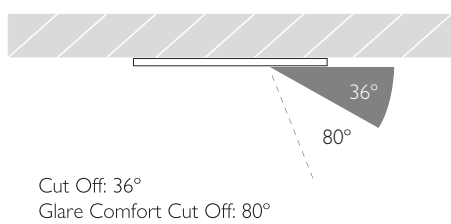
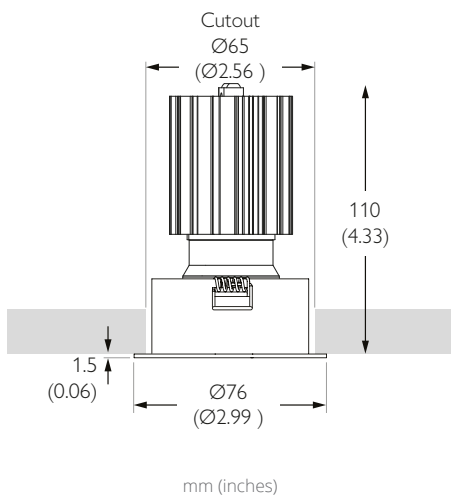
WARRANTY 5 Years

LIFETIME L90B10 50,000hrs

STANDARDS



Photometry shown is for 3000K module. Please enquire for other CCT photometry.



TRIM FINISH	APERTURE FINISH	LED CCT	BEAM ANGLE	
RCD-631C	<ul style="list-style-type: none"> W White RAL9010 B Black RAL9005 A Brushed Aluminium R Rubbed Bronze* P Polished Brass* C Polished Chrome* 	<ul style="list-style-type: none"> W White RAL9010 B Black RAL9005 G Matt Gold Paint* 	<ul style="list-style-type: none"> 2490 2400K 90CRI 2798 2700K 98CRI 3098 3000K 98CRI 	<ul style="list-style-type: none"> NA Narrow 19° ME Medium 25° WD Wide 37° VW Very Wide 50°

Example Code: RCD-631C-WB-2798NA

*Premium & custom finishes are built to order, subject to an extended lead time & MOQ

MINIMO 16 PLUS FIXED

25° MEDIUM BEAM



TECHNICAL DESCRIPTION

Minimo 16 Plus Fixed is a Constant Current single source pro-series downlight that is machined from aerospace grade aluminium 6063-T6 and comes as standard in white and black along with a range of premium finishes. It has four site-changeable optics for flexible beam distribution. The medium beam in our 12.60W 1200lm module has a peak intensity of 5069cd. The integral accessory holder can accommodate 32mm lenses and louvers.

MECHANICAL & ELECTRICAL

CATEGORY IP20

MATERIAL Machined AL 6063-T6

PAN N/A

TILT N/A

LOCKABLE N/A

WEIGHT 249g | 0.55lb

WATTAGE 12.60W

FORWARD VOLTAGE 18V

DRIVE CURRENT 700mA

SUPPLY TYPE Constant Current

DRIVER LOCATION Remote

DIMMING DALI | 0-10V | 1-10V | Casambi

MOUNTING

MOUNTING Recessed

CEILING THICKNESS 3-25mm (0.12-0.98")

CUTOUT ø65mm (2.56")

MIN CEILING VOID 20mm (0.79") clearance above

FINISHES

FINISHES Brushed Aluminium | White RAL9010 | Black RAL9005 | Rubbed Bronze* | Polished Brass* | Polished Chrome*

*Premium & custom finishes are built & finished to order. These are subject to an extended lead time & MOQ.

OPTICAL & STANDARDS

NOMINAL LUMENS 1200lm

DELIVERED LUMENS 1001lm

COLOUR TEMPERATURE 2400K | 2700K | 3000K

ACCESSORY HOLDER Integral

ACCESSORIES Louver | Lenses 32mm

TM65 13.09kgCO2e

TM66 2.2

BEAM ANGLE 25°

CRI 92 TYP - 2400K | 98 TYP - 2700K/3000K

TM-30 RF: 95 RG: 101

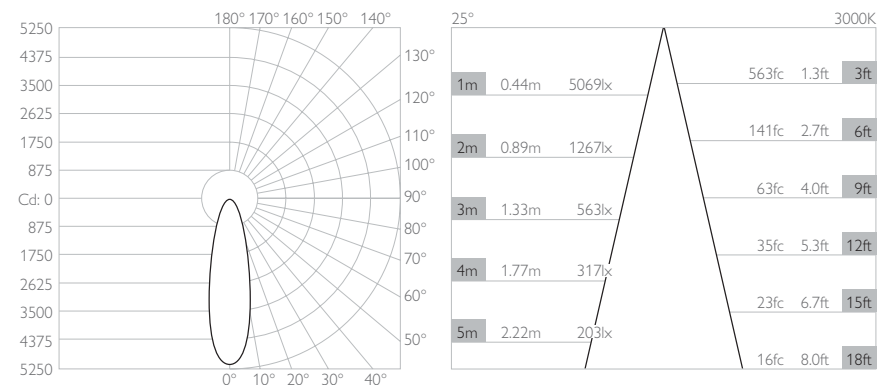
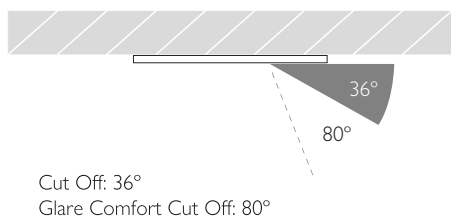
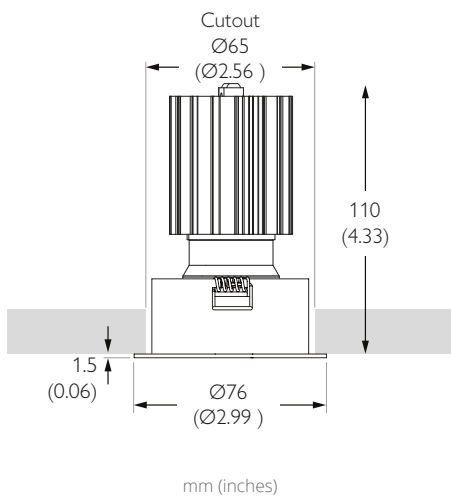
WARRANTY 5 Years

LIFETIME L90B10 50,000hrs

STANDARDS



Photometry shown is for 3000K module. Please enquire for other CCT photometry.



TRIM FINISH	APERTURE FINISH	LED CCT	BEAM ANGLE	
RCD-631C	<ul style="list-style-type: none"> W White RAL9010 B Black RAL9005 A Brushed Aluminium R Rubbed Bronze* P Polished Brass* C Polished Chrome* 	<ul style="list-style-type: none"> W White RAL9010 B Black RAL9005 G Matt Gold Paint* 	<ul style="list-style-type: none"> 2490 2400K 90CRI 2798 2700K 98CRI 3098 3000K 98CRI 	<ul style="list-style-type: none"> NA Narrow 19° ME Medium 25° WD Wide 37° VW Very Wide 50°

Example Code: RCD-631C-WB-2798ME

*Premium & custom finishes are built to order, subject to an extended lead time & MOQ

MINIMO 16 PLUS FIXED

37° WIDE BEAM



TECHNICAL DESCRIPTION

Minimo 16 Plus Fixed is a Constant Current single source pro-series downlight that is machined from aerospace grade aluminium 6063-T6 and comes as standard in white and black along with a range of premium finishes. It has four site-changeable optics for flexible beam distribution. The wide beam in our 12.60W 1200lm module has a peak intensity of 2473cd. The integral accessory holder can accommodate 32mm lenses and louvers.

MECHANICAL & ELECTRICAL

CATEGORY IP20

MATERIAL Machined AL 6063-T6

PAN N/A

TILT N/A

LOCKABLE N/A

WEIGHT 249g | 0.55lb

WATTAGE 12.60W

FORWARD VOLTAGE 18V

DRIVE CURRENT 700mA

SUPPLY TYPE Constant Current

DRIVER LOCATION Remote

DIMMING DALI | 0-10V | 1-10V | Casambi

MOUNTING

MOUNTING Recessed

CEILING THICKNESS 3-25mm (0.12-0.98")

CUTOUT ø65mm (2.56")

MIN CEILING VOID 20mm (0.79") clearance above

FINISHES

FINISHES Brushed Aluminium | White RAL9010 | Black RAL9005 | Rubbed Bronze* | Polished Brass* | Polished Chrome*

*Premium & custom finishes are built & finished to order. These are subject to an extended lead time & MOQ.

OPTICAL & STANDARDS

NOMINAL LUMENS 1200lm

DELIVERED LUMENS 997lm

COLOUR TEMPERATURE 2400K | 2700K | 3000K

ACCESSORY HOLDER Integral

ACCESSORIES Louver | Lenses 32mm

TM65 13.09kgCO2e

TM66 2.2

BEAM ANGLE 37°

CRI 92 TYP - 2400K | 98 TYP - 2700K/3000K

TM-30 RF: 95 RG: 101

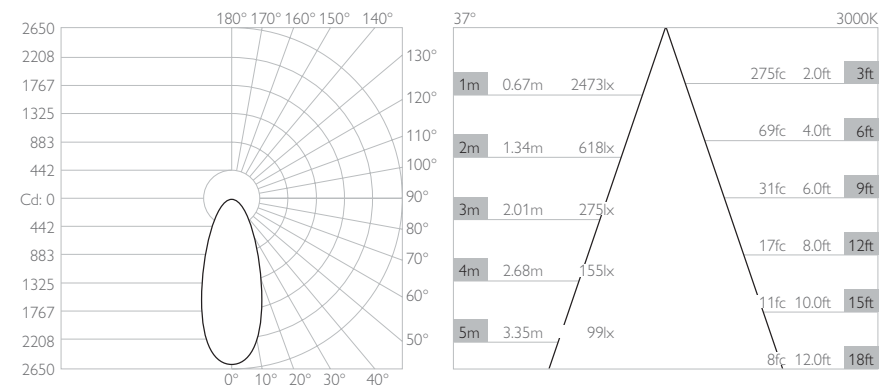
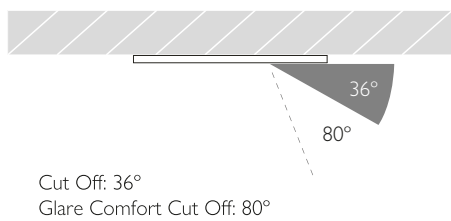
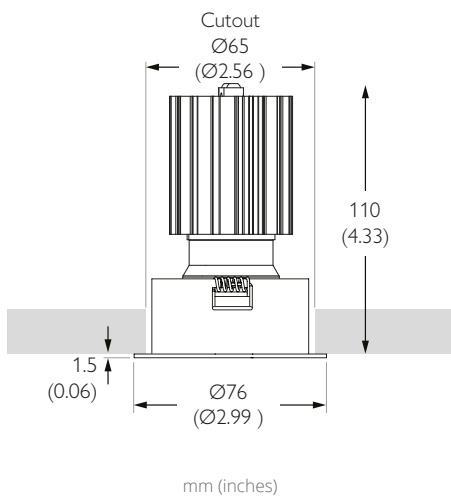
WARRANTY 5 Years

LIFETIME L90B10 50,000hrs

STANDARDS



Photometry shown is for 3000K module. Please enquire for other CCT photometry.



TRIM FINISH	APERTURE FINISH	LED CCT	BEAM ANGLE	
RCD-631C	<ul style="list-style-type: none"> W White RAL9010 B Black RAL9005 A Brushed Aluminium R Rubbed Bronze* P Polished Brass* C Polished Chrome* 	<ul style="list-style-type: none"> W White RAL9010 B Black RAL9005 G Matt Gold Paint* 	<ul style="list-style-type: none"> 2490 2400K 90CRI 2798 2700K 98CRI 3098 3000K 98CRI 	<ul style="list-style-type: none"> NA Narrow 19° ME Medium 25° WD Wide 37° VW Very Wide 50°

Example Code: RCD-631C-WB-2798WD

*Premium & custom finishes are built to order, subject to an extended lead time & MOQ

MINIMO 16 PLUS FIXED

50° VERY WIDE BEAM



TECHNICAL DESCRIPTION

Minimo 16 Plus Fixed is a Constant Current single source pro-series downlight that is machined from aerospace grade aluminium 6063-T6 and comes as standard in white and black along with a range of premium finishes. It has four site-changeable optics for flexible beam distribution. The very wide beam in our 12.60W 1200lm module has a peak intensity of 1537cd. The integral accessory holder can accommodate 32mm lenses and louvers.

MECHANICAL & ELECTRICAL

CATEGORY IP20

MATERIAL Machined AL 6063-T6

PAN N/A

TILT N/A

LOCKABLE N/A

WEIGHT 249g | 0.55lb

WATTAGE 12.60W

FORWARD VOLTAGE 18V

DRIVE CURRENT 700mA

SUPPLY TYPE Constant Current

DRIVER LOCATION Remote

DIMMING DALI | 0-10V | 1-10V | Casambi

MOUNTING

MOUNTING Recessed

CEILING THICKNESS 3-25mm (0.12-0.98")

CUTOUT ø65mm (2.56")

MIN CEILING VOID 20mm (0.79") clearance above

FINISHES

FINISHES Brushed Aluminium | White RAL9010 | Black RAL9005 | Rubbed Bronze* | Polished Brass* | Polished Chrome*

*Premium & custom finishes are built & finished to order. These are subject to an extended lead time & MOQ.

OPTICAL & STANDARDS

NOMINAL LUMENS 1200lm

DELIVERED LUMENS 912lm

COLOUR TEMPERATURE 2400K | 2700K | 3000K

ACCESSORY HOLDER Integral

ACCESSORIES Louver | Lenses 32mm

TM65 13.09kgCO2e

TM66 2.2

BEAM ANGLE 50°

CRI 92 TYP - 2400K | 98 TYP - 2700K/3000K

TM-30 RF: 95 RG: 101

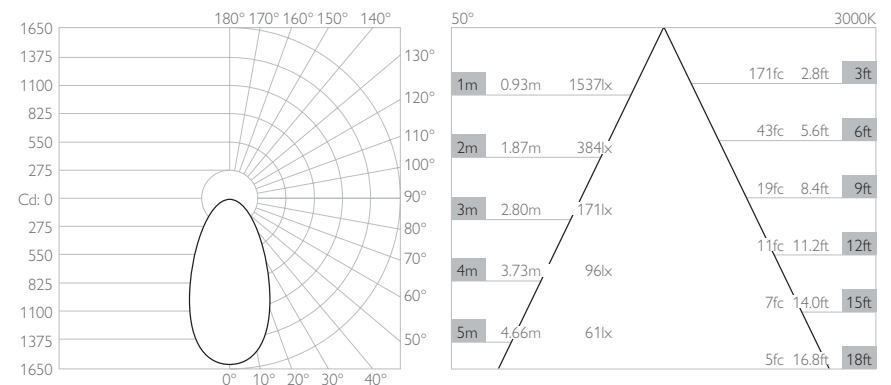
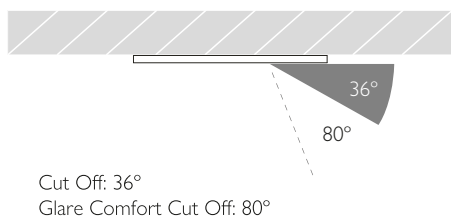
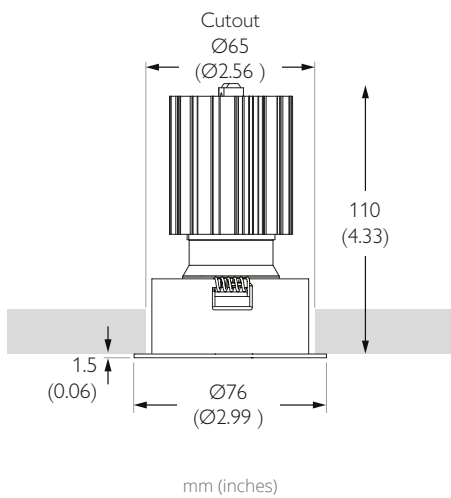
WARRANTY 5 Years

LIFETIME L90B10 50,000hrs

STANDARDS



Photometry shown is for 3000K module. Please enquire for other CCT photometry.



TRIM FINISH	APERTURE FINISH	LED CCT	BEAM ANGLE
RCD-631C	<ul style="list-style-type: none"> W White RAL9010 B Black RAL9005 A Brushed Aluminium R Rubbed Bronze* P Polished Brass* C Polished Chrome* 	<ul style="list-style-type: none"> 2490 2400K 90CRI 2798 2700K 98CRI 3098 3000K 98CRI 	<ul style="list-style-type: none"> NA Narrow 19° ME Medium 25° WD Wide 37° VW Very Wide 50°

Example Code: RCD-631C-WB-2798WW

*Premium & custom finishes are built to order, subject to an extended lead time & MOQ

MINIMO PRO - PLUS LIGHT ENGINE

DRIVER COMPATIBILITY

20W | DIMMING: DALI OR 0-10V

NO. OF LIGHTS PER DRIVER 1
 MIN DIM LEVEL 0.1%
 VOLTAGE REGION 230V
 FOR NORTH AMERICA No
 WATTAGE 20W
 SUPPLY TYPE Constant Current
 DRIVER LOCATION Remote
 MANUFACTURER Eldoled
 PASS THROUGH CUTOUT Yes



DALI CODE PSCC-20-700-D-EL
 0-10V CODE PSCC-20-700-A-EL

LENGTH 160mm (6.30") WIDTH 41mm (1.63") HEIGHT 30mm (1.18")



30W | DIMMING: DALI OR 0-10V

NO. OF LIGHTS PER DRIVER 1 to 2 in series
 MIN DIM LEVEL 0.1%
 VOLTAGE REGION 120V
 FOR NORTH AMERICA Yes
 WATTAGE 30W
 SUPPLY TYPE Constant Current
 DRIVER LOCATION Remote
 MANUFACTURER Eldoled



DALI CODE USCC-30-700-D-EL-ENC
 0-10V CODE USCC-30-700-A-EL-ENC

LENGTH 348mm (13.7") WIDTH 65mm (2.6") HEIGHT 47mm (1.9")



12W | DIMMING: PHASE

NO. OF LIGHTS PER DRIVER 1
 MIN DIM LEVEL 1%
 VOLTAGE REGION 120V
 FOR NORTH AMERICA Yes
 WATTAGE 12W
 SUPPLY TYPE Constant Current
 DRIVER LOCATION Remote
 MANUFACTURER Hatch



PHASE CODE USCC-12-700-P-HT-ENC

LENGTH 247mm (9.7") WIDTH 65mm (2.6") HEIGHT 47mm (1.9")

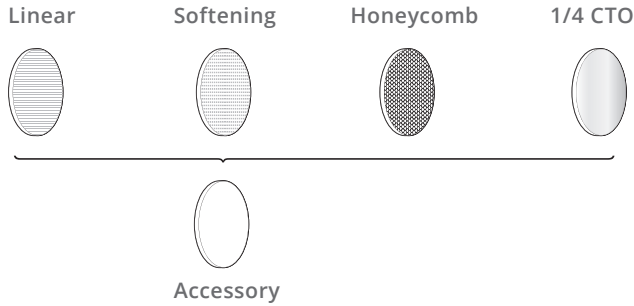


MINIMO 16

FOR USE WITH MINIMO PRO | PLUS | DYNAMIC WHITE

ACCESSORIES

The Minimo 16 Pro | Plus | Dynamic White can accommodate 1 accessory with no additional holder required as standard.



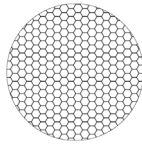
Honeycomb Louvre

Enhances glare control

THICKNESS 3.2mm (0.126")

DAIMETER 32mm (1.260")

PART CODE 995-32-BK



1/4 CTO Dichroic

CCT warming - approx 300K

THICKNESS 1.8mm (0.071")

DAIMETER 32mm (1.260")

PART CODE 997-1/4CTO-32



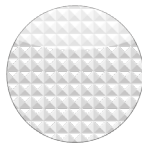
Softening Lens

Heavy Diffusion of beam

THICKNESS 3.2mm (0.126")

DAIMETER 32mm (1.260")

PART CODE 991-32



Linear Lens

Elongates beam

THICKNESS 3.9mm (0.154")

DAIMETER 32mm (1.260")

PART CODE 992-32

