

MINIMO DYNAMIC WHITE FIXED IP54

25° MEDIUM BEAM



TECHNICAL DESCRIPTION

Minimo Dynamic White Fixed IP54 is a Constant Current single source pro-series downlight with the option of 2 CCT tuning ranges (1800-3000K / 2700-5000K) and comes as standard in white and black along with a range of premium finishes. It has four site-changeable optics for flexible beam distribution. The medium beam in our 12.60W 1050lm module has a peak intensity of 3600cd. The integral accessory holder can accommodate 32mm lenses and louvers.

MECHANICAL & ELECTRICAL

CATEGORY IP54	WATTAGE 12.60W
MATERIAL Machined AL 6063-T6	FORWARD VOLTAGE 18V
PAN N/A	SUPPLY TYPE Constant Current Dual Channel
TILT N/A	DRIVER LOCATION Remote
LOCKABLE N/A	DIMMING DALI 0-10V
WEIGHT 264g 0.58lb	

MOUNTING

MOUNTING Recessed	CUTOUT ø65mm (2.56")
CEILING THICKNESS 3-25mm (0.12-0.98")	MIN CEILING VOID 20mm (0.79") clearance above

FINISHES

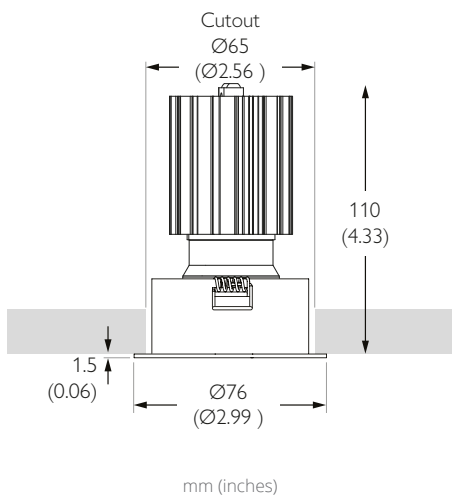
FINISHES Brushed Aluminium | White RAL9010 | Black RAL9005 | Rubbed Bronze* | Polished Brass* | Polished Chrome*
*Premium & custom finishes are built & finished to order. These are subject to an extended lead time & MOQ.

OPTICAL & STANDARDS

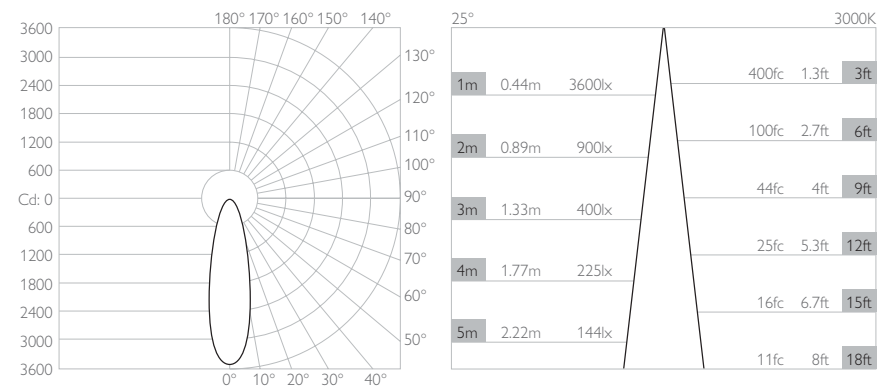
NOMINAL LUMENS 1050lm	BEAM ANGLE 25°
DELIVERED LUMENS 874lm	CRI 94 TYP
COLOUR TEMPERATURE 1800-3000K 2700-5000K	TM-30 RF: 92 RG: 99
ACCESSORY HOLDER Integral	WARRANTY 5 Years
ACCESSORIES Louver Lenses 32mm	LIFETIME L90B10 50,000hrs
TM65 13.53kgCO2e	STANDARDS
TM66 2.2	



All data is for 2700-5000K module at 3000K. Scaling table shows output at different CCT settings.



LIGHT ENGINE		OUTPUT SCALING	
1800-3000K	2700-5000K	Scaling Value	Delivered lm
1800K		0.57	498lm
2100K		0.70	612lm
2400K		0.77	673lm
2700K	2700K	0.85	743lm
3000K	3000K	1.00	874lm
	3500K	1.05	918lm
	4000K	1.05	918lm
	4500K	1.05	926lm
	5000K	1.06	926lm



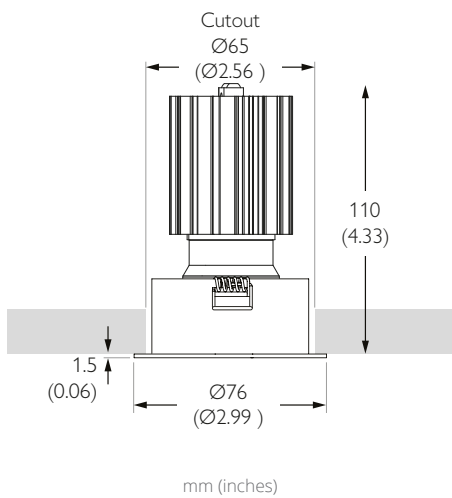
TRIM FINISH	APERTURE FINISH	LED CCT	BEAM ANGLE
RCD-633C			
W White RAL9010	W White RAL9010	T01 1800K-3000K 94CRI	ME Medium 25°
B Black RAL9005	B Black RAL9005	T02 2700K-5000K 94CRI	WD Wide 32°
A Brushed Aluminium	G Matt Gold Paint*		VW Very Wide 46°
R Rubbed Bronze*			UW Ultra Wide 56°
P Polished Brass*			
C Polished Chrome*			

Example Code: RCD-633C-WB-T02ME

*Premium & custom finishes are built to order, subject to an extended lead time & MOQ

MINIMO DYNAMIC WHITE FIXED IP54

32° WIDE BEAM



LIGHT ENGINE		OUTPUT SCALING	
1800-3000K	2700-5000K	Scaling Value	Delivered lm
1800K		0.57	514lm
2100K		0.70	631lm
2400K		0.77	695lm
2700K	2700K	0.85	767lm
3000K	3000K	1.00	902lm
	3500K	1.05	947lm
	4000K	1.05	947lm
	4500K	1.05	956lm
	5000K	1.06	956lm

TECHNICAL DESCRIPTION

Minimo Dynamic White Fixed IP54 is a Constant Current single source pro-series downlight with the option of 2 CCT tuning ranges (1800-3000K / 2700-5000K) and comes as standard in white and black along with a range of premium finishes. It has four site-changeable optics for flexible beam distribution. The wide beam in our 12.60W 1050lm module has a peak intensity of 2930cd. The integral accessory holder can accommodate 32mm lenses and louvers.

MECHANICAL & ELECTRICAL

CATEGORY IP54	WATTAGE 12.60W
MATERIAL Machined AL 6063-T6	FORWARD VOLTAGE 18V
PAN N/A	SUPPLY TYPE Constant Current Dual Channel
TILT N/A	DRIVER LOCATION Remote
LOCKABLE N/A	DIMMING DALI 0-10V
WEIGHT 264g 0.58lb	

MOUNTING

MOUNTING Recessed	CUTOUT ø65mm (2.56")
CEILING THICKNESS 3-25mm (0.12-0.98")	MIN CEILING VOID 20mm (0.79") clearance above

FINISHES

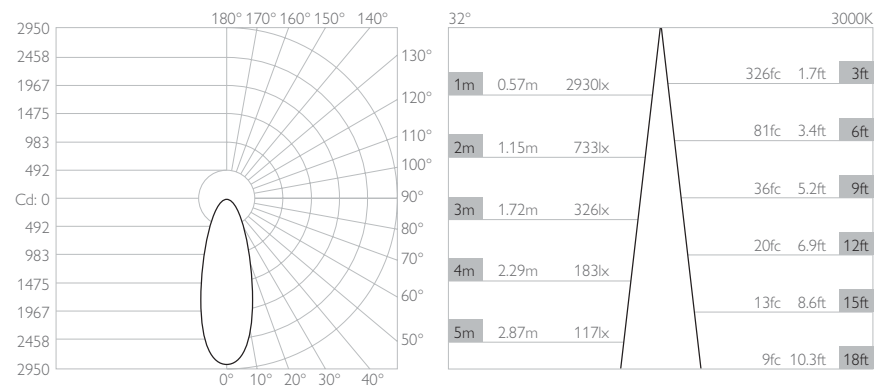
FINISHES Brushed Aluminium | White RAL9010 | Black RAL9005 | Rubbed Bronze* | Polished Brass* | Polished Chrome*
*Premium & custom finishes are built & finished to order. These are subject to an extended lead time & MOQ.

OPTICAL & STANDARDS

NOMINAL LUMENS 1050lm	BEAM ANGLE 32°
DELIVERED LUMENS 902lm	CRI 94 TYP
COLOUR TEMPERATURE 1800-3000K 2700-5000K	TM-30 RF: 92 RG: 99
ACCESSORY HOLDER Integral	WARRANTY 5 Years
ACCESSORIES Louver Lenses 32mm	LIFETIME L90B10 50,000hrs
TM65 13.53kgCO2e	STANDARDS
TM66 2.2	



All data is for 2700-5000K module at 3000K. Scaling table shows output at different CCT settings.



TRIM FINISH	APERTURE FINISH	LED CCT	BEAM ANGLE
RCD-633C			
W White RAL9010	W White RAL9010	T01 1800K-3000K 94CRI	ME Medium 25°
B Black RAL9005	B Black RAL9005	T02 2700K-5000K 94CRI	WD Wide 32°
A Brushed Aluminium	G Matt Gold Paint*		VW Very Wide 46°
R Rubbed Bronze*			UW Ultra Wide 56°
P Polished Brass*			
C Polished Chrome*			

Example Code: RCD-633C-WB-T02WD

*Premium & custom finishes are built to order, subject to an extended lead time & MOQ

MINIMO DYNAMIC WHITE FIXED IP54

46° VERY WIDE BEAM



TECHNICAL DESCRIPTION

Minimo Dynamic White Fixed IP54 is a Constant Current single source pro-series downlight with the option of 2 CCT tuning ranges (1800-3000K / 2700-5000K) and comes as standard in white and black along with a range of premium finishes. It has four site-changeable optics for flexible beam distribution. The very wide beam in our 12.60W 1050lm module has a peak intensity of 1560cd. The integral accessory holder can accommodate 32mm lenses and louvers.

MECHANICAL & ELECTRICAL

CATEGORY IP54	WATTAGE 12.60W
MATERIAL Machined AL 6063-T6	FORWARD VOLTAGE 18V
PAN N/A	SUPPLY TYPE Constant Current Dual Channel
TILT N/A	DRIVER LOCATION Remote
LOCKABLE N/A	DIMMING DALI 0-10V
WEIGHT 264g 0.58lb	

MOUNTING

MOUNTING Recessed	CUTOUT ø65mm (2.56")
CEILING THICKNESS 3-25mm (0.12-0.98")	MIN CEILING VOID 20mm (0.79") clearance above

FINISHES

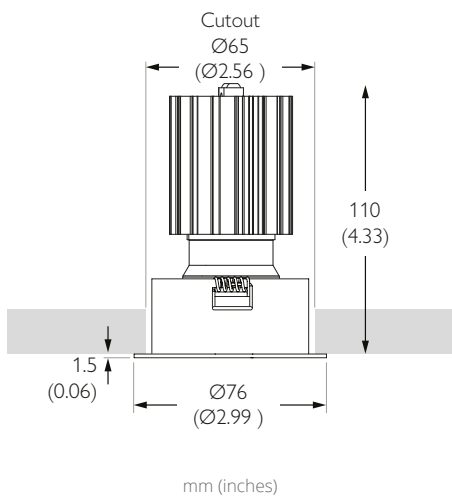
FINISHES Brushed Aluminium | White RAL9010 | Black RAL9005 | Rubbed Bronze* | Polished Brass* | Polished Chrome*
*Premium & custom finishes are built & finished to order. These are subject to an extended lead time & MOQ.

OPTICAL & STANDARDS

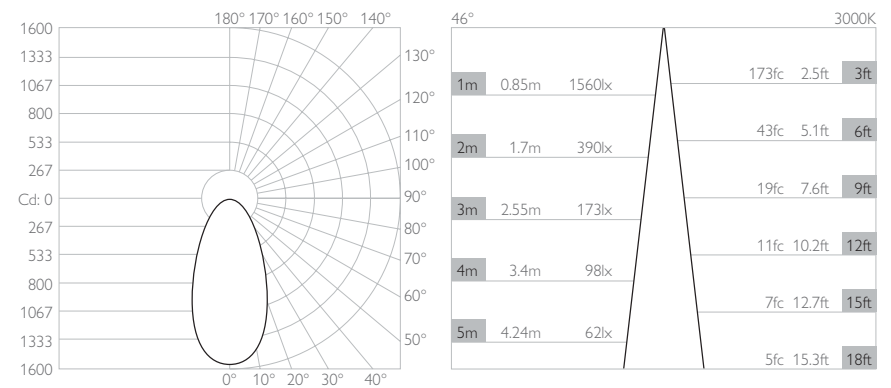
NOMINAL LUMENS 1050lm	BEAM ANGLE 46°
DELIVERED LUMENS 892lm	CRI 94 TYP
COLOUR TEMPERATURE 1800-3000K 2700-5000K	TM-30 RF: 92 RG: 99
ACCESSORY HOLDER Integral	WARRANTY 5 Years
ACCESSORIES Louver Lenses 32mm	LIFETIME L90B10 50,000hrs
TM65 13.53kgCO2e	STANDARDS
TM66 2.2	



All data is for 2700-5000K module at 3000K. Scaling table shows output at different CCT settings.



LIGHT ENGINE		OUTPUT SCALING	
1800-3000K	2700-5000K	Scaling Value	Delivered lm
1800K		0.57	508lm
2100K		0.70	624lm
2400K		0.77	687lm
2700K	2700K	0.85	758lm
3000K	3000K	1.00	892lm
	3500K	1.05	937lm
	4000K	1.05	937lm
	4500K	1.05	946lm
	5000K	1.06	946lm



TRIM FINISH	APERTURE FINISH	LED CCT	BEAM ANGLE
RCD-633C	<ul style="list-style-type: none"> W White RAL9010 B Black RAL9005 A Brushed Aluminium R Rubbed Bronze* P Polished Brass* C Polished Chrome* 	<ul style="list-style-type: none"> T01 1800K-3000K 94CRI T02 2700K-5000K 94CRI 	<ul style="list-style-type: none"> ME Medium 25° WD Wide 32° VW Very Wide 46° UW Ultra Wide 56°

Example Code: RCD-633C-WB-T02VW

*Premium & custom finishes are built to order, subject to an extended lead time & MOQ

MINIMO DYNAMIC WHITE FIXED IP54

56° ULTRA WIDE BEAM



TECHNICAL DESCRIPTION

Minimo Dynamic White Fixed IP54 is a Constant Current single source pro-series downlight with the option of 2 CCT tuning ranges (1800-3000K / 2700-5000K) and comes as standard in white and black along with a range of premium finishes. It has four site-changeable optics for flexible beam distribution. The ultra wide beam in our 12.60W 1050lm module has a peak intensity of 1080cd. The integral accessory holder can accommodate 32mm lenses and louvers.

MECHANICAL & ELECTRICAL

CATEGORY IP54	WATTAGE 12.60W
MATERIAL Machined AL 6063-T6	FORWARD VOLTAGE 18V
PAN N/A	SUPPLY TYPE Constant Current Dual Channel
TILT N/A	DRIVER LOCATION Remote
LOCKABLE N/A	DIMMING DALI 0-10V
WEIGHT 264g 0.58lb	

MOUNTING

MOUNTING Recessed	CUTOUT ø65mm (2.56")
CEILING THICKNESS 3-25mm (0.12-0.98")	MIN CEILING VOID 20mm (0.79") clearance above

FINISHES

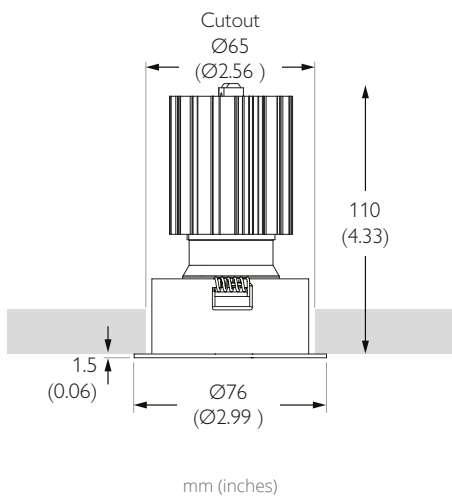
FINISHES Brushed Aluminium | White RAL9010 | Black RAL9005 | Rubbed Bronze* | Polished Brass* | Polished Chrome*
*Premium & custom finishes are built & finished to order. These are subject to an extended lead time & MOQ.

OPTICAL & STANDARDS

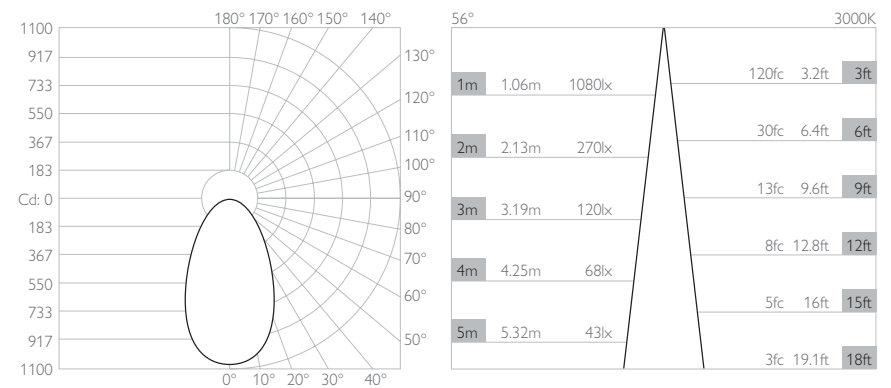
NOMINAL LUMENS 1050lm	BEAM ANGLE 56°
DELIVERED LUMENS 877lm	CRI 94 TYP
COLOUR TEMPERATURE 1800-3000K 2700-5000K	TM-30 RF: 92 RG: 99
ACCESSORY HOLDER Integral	WARRANTY 5 Years
ACCESSORIES Louver Lenses 32mm	LIFETIME L90B10 50,000hrs
TM65 13.53kgCO2e	STANDARDS
TM66 2.2	



All data is for 2700-5000K module at 3000K. Scaling table shows output at different CCT settings.



LIGHT ENGINE		OUTPUT SCALING	
1800-3000K	2700-5000K	Scaling Value	Delivered lm
1800K		0.57	500lm
2100K		0.70	614lm
2400K		0.77	675lm
2700K	2700K	0.85	745lm
3000K	3000K	1.00	877lm
	3500K	1.05	921lm
	4000K	1.05	921lm
	4500K	1.05	930lm
	5000K	1.06	930lm



TRIM FINISH	APERTURE FINISH	LED CCT	BEAM ANGLE
RCD-633C			
W White RAL9010	W White RAL9010	T01 1800K-3000K 94CRI	ME Medium 25°
B Black RAL9005	B Black RAL9005	T02 2700K-5000K 94CRI	WD Wide 32°
A Brushed Aluminium	G Matt Gold Paint*		VW Very Wide 46°
R Rubbed Bronze*			UW Ultra Wide 56°
P Polished Brass*			
C Polished Chrome*			

Example Code: RCD-633C-WB-T02UW

*Premium & custom finishes are built to order, subject to an extended lead time & MOQ

MINIMO DYNAMIC WHITE

DRIVER COMPATIBILITY

ELDOLED | 20W | DALI DT6 OR DT8

NO. OF LIGHTS PER DRIVER 1

MIN DIM LEVEL 0.1%

VOLTAGE REGION 230V

FOR NORTH AMERICA No

WATTAGE 20W

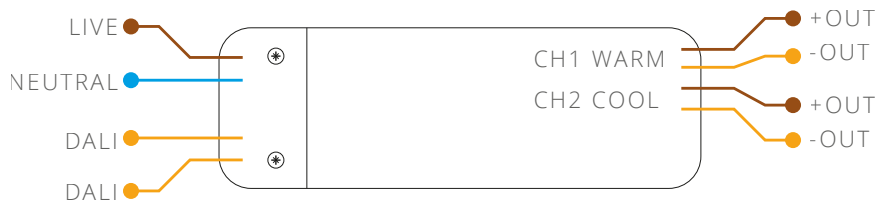
SUPPLY TYPE Constant Current

DRIVER LOCATION Remote

MANUFACTURER Eldoled

DT6 CODE 1800-3000K PSCC-63XT01DT6M-E1
CODE 2700-5000K PSCC-63XT02DT6M-E1

DT8 CODE 1800-3000K PSCC-63XT01DT8M-E1
CODE 2700-5000K PSCC-63XT02DT8M-E1



LENGTH 184mm (7.22") WIDTH 41mm (1.63") HEIGHT 30mm (1.18")



ELDOLED | 30W | DALI DT6 OR DT8

NO. OF LIGHTS PER DRIVER 1

MIN DIM LEVEL 0.1%

VOLTAGE REGION 120V

FOR NORTH AMERICA Yes

WATTAGE 30W

SUPPLY TYPE Constant Current

DRIVER LOCATION Remote

MANUFACTURER Eldoled

DT6 CODE 1800-3000K USCC-63XT01DT6M-E1
CODE 2700-5000K USCC-63XT02DT6M-E1

DT8 CODE 1800-3000K USCC-63XT01DT8M-E1
CODE 2700-5000K USCC-63XT02DT8M-E1



LENGTH 348mm (13.7") WIDTH 107mm (4.2") HEIGHT 51mm (2.0")



ELDOLED | 50W | 0-10V DIM 0-10V CCT

NO. OF LIGHTS PER DRIVER 1

MIN DIM LEVEL 0.1%

VOLTAGE REGION 120V

FOR NORTH AMERICA Yes

WATTAGE 50W

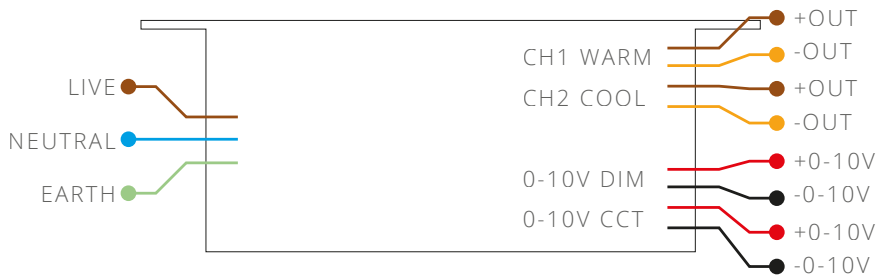
SUPPLY TYPE Constant Current

DRIVER LOCATION Remote

MANUFACTURER Eldoled

ORDER CODE 1800-3000K USCC-63XT01010M-E1

ORDER CODE 2700-5000K USCC-63XT02010M-E1



LENGTH 348mm (13.7") WIDTH 107mm (4.2") HEIGHT 51mm (2.0")

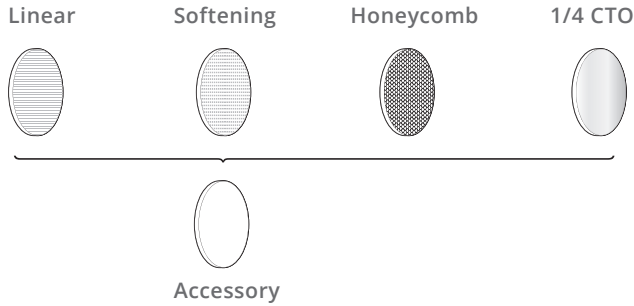


MINIMO 16

FOR USE WITH MINIMO PRO | PLUS | DYNAMIC WHITE

ACCESSORIES

The Minimo 16 Pro | Plus | Dynamic White can accommodate 1 accessory with no additional holder required as standard.



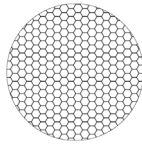
Honeycomb Louvre

Enhances glare control

THICKNESS 3.2mm (0.126")

DAIMETER 32mm (1.260")

PART CODE 995-32-BK



1/4 CTO Dichroic

CCT warming - approx 300K

THICKNESS 1.8mm (0.071")

DAIMETER 32mm (1.260")

PART CODE 997-1/4CTO-32



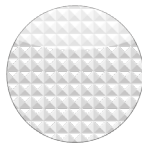
Softening Lens

Heavy Diffusion of beam

THICKNESS 3.2mm (0.126")

DAIMETER 32mm (1.260")

PART CODE 991-32



Linear Lens

Elongates beam

THICKNESS 3.9mm (0.154")

DAIMETER 32mm (1.260")

PART CODE 992-32

