

MINIMO 16 ADJUSTABLE IP54

11° ULTRA NARROW BEAM



TECHNICAL DESCRIPTION

Minimo 16 Adjustable IP54 is a Constant Current single source LED downlight that is machined from aerospace grade aluminium 6063-T6 and comes as standard in white and black along with a range of premium finishes. It has five site-changeable optics for flexible beam distribution and is fully adjustable with 360° pan and 35° tilt without breaking the ceiling line. The ultra narrow beam in our 8.40W 700lm module has a peak intensity of 12512cd. The integral accessory holder can accommodate 32mm lenses and louvers.

MECHANICAL & ELECTRICAL

CATEGORY IP54

MATERIAL Machined AL 6063-T6

PAN 360°

TILT 35°

LOCKABLE N/A

WEIGHT 264g | 0.58lb

WATTAGE 8.40W

FORWARD VOLTAGE 12V

DRIVE CURRENT 700mA

SUPPLY TYPE Constant Current

DRIVER LOCATION Remote

DIMMING DALI | 0-10V | 1-10V | Casambi

MOUNTING

MOUNTING Recessed

CEILING THICKNESS 3-25mm (0.12-0.98")

CUTOUT ø65mm (2.56")

MIN CEILING VOID 20mm (0.79") clearance above

FINISHES

FINISHES Brushed Aluminium | White RAL9010 | Black RAL9005 | Rubbed Bronze* | Polished Brass* | Polished Chrome*

*Premium & custom finishes are built & finished to order. These are subject to an extended lead time & MOQ.

OPTICAL & STANDARDS

NOMINAL LUMENS 700lm

DELIVERED LUMENS 661lm

COLOUR TEMPERATURE 2700K | 3000K

ACCESSORY HOLDER Integral

ACCESSORIES Louver | Lenses 32mm

TM65 13.53kgCO2e

TM66 2.2

BEAM ANGLE 11°

CRI 92 TYP

TM-30 RF: 90 RG: 99

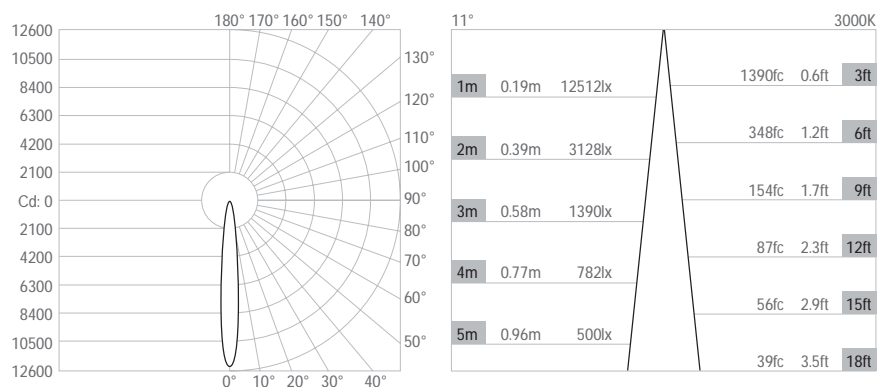
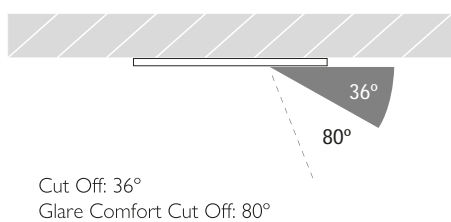
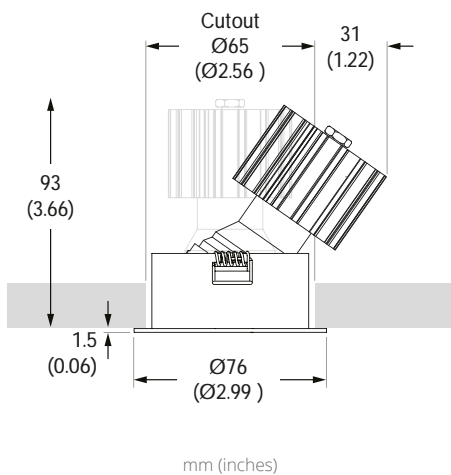
WARRANTY 5 Years

LIFETIME L90B10 100,000hrs

STANDARDS



Photometry shown is for 3000K module. Please enquire for other CCT photometry.



TRIM FINISH	APERTURE FINISH	LED CCT	BEAM ANGLE
RCD-637	W White RAL9010 B Black RAL9005 A Brushed Aluminium R Rubbed Bronze* P Polished Brass* C Polished Chrome*	W White RAL9010 B Black RAL9005 G Matt Gold Paint*	UN Ultra Narrow NA Narrow ME Medium FL Flood WF Wide Flood
		2792 2700K 92CRI 3092 3000K 92CRI 4092 4000K 92CRI	

Example Code: RCD-637-WB-3092UN

*Premium & custom finishes are built to order, subject to an extended lead time & MOQ

MINIMO 16 ADJUSTABLE IP54

14° NARROW BEAM



TECHNICAL DESCRIPTION

Minimo 16 Adjustable IP54 is a Constant Current single source LED downlight that is machined from aerospace grade aluminium 6063-T6 and comes as standard in white and black along with a range of premium finishes. It has five site-changeable optics for flexible beam distribution and is fully adjustable with 360° pan and 35° tilt without breaking the ceiling line. The narrow beam in our 8.40W 700lm module has a peak intensity of 8971cd. The integral accessory holder can accommodate 32mm lenses and louvers.

MECHANICAL & ELECTRICAL

CATEGORY IP54

MATERIAL Machined AL 6063-T6

PAN 360°

TILT 35°

LOCKABLE N/A

WEIGHT 264g | 0.58lb

WATTAGE 8.40W

FORWARD VOLTAGE 12V

DRIVE CURRENT 700mA

SUPPLY TYPE Constant Current

DRIVER LOCATION Remote

DIMMING DALI | 0-10V | 1-10V | Casambi

MOUNTING

MOUNTING Recessed

CEILING THICKNESS 3-25mm (0.12-0.98")

CUTOUT ø65mm (2.56")

MIN CEILING VOID 20mm (0.79") clearance above

FINISHES

FINISHES Brushed Aluminium | White RAL9010 | Black RAL9005 | Rubbed Bronze* | Polished Brass* | Polished Chrome*

*Premium & custom finishes are built & finished to order. These are subject to an extended lead time & MOQ.

OPTICAL & STANDARDS

NOMINAL LUMENS 700lm

DELIVERED LUMENS 650lm

COLOUR TEMPERATURE 2700K | 3000K

ACCESSORY HOLDER Integral

ACCESSORIES Louver | Lenses 32mm

TM65 13.53kgCO2e

TM66 2.2

BEAM ANGLE 14°

CRI 92 TYP

TM-30 RF: 90 RG: 99

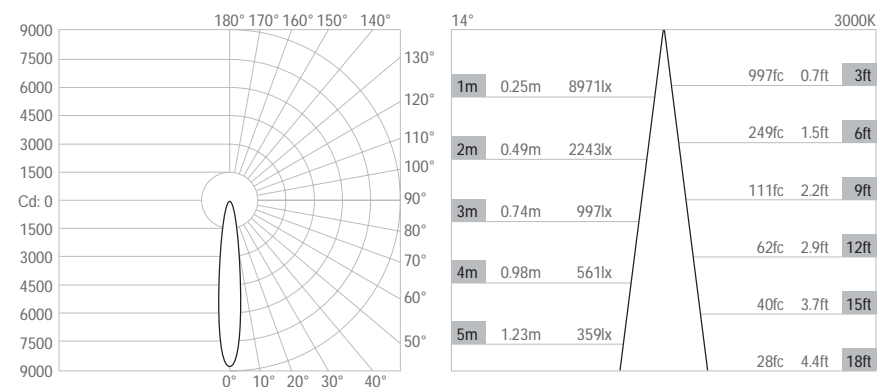
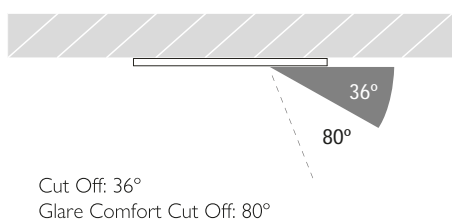
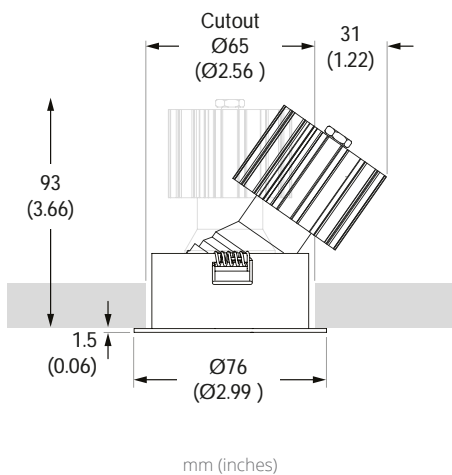
WARRANTY 5 Years

LIFETIME L90B10 100,000hrs

STANDARDS



Photometry shown is for 3000K module. Please enquire for other CCT photometry.



TRIM FINISH	APERTURE FINISH	LED CCT	BEAM ANGLE
RCD-637	W White RAL9010 B Black RAL9005 A Brushed Aluminium R Rubbed Bronze* P Polished Brass* C Polished Chrome*	W White RAL9010 B Black RAL9005 G Matt Gold Paint*	UN Ultra Narrow NA Narrow ME Medium FL Flood WF Wide Flood
		2792 2700K 92CRI 3092 3000K 92CRI 4092 4000K 92CRI	

Example Code: RCD-637-WB-3092NA

*Premium & custom finishes are built to order, subject to an extended lead time & MOQ

MINIMO 16 ADJUSTABLE IP54

18° MEDIUM BEAM



TECHNICAL DESCRIPTION

Minimo 16 Adjustable IP54 is a Constant Current single source LED downlight that is machined from aerospace grade aluminium 6063-T6 and comes as standard in white and black along with a range of premium finishes. It has five site-changeable optics for flexible beam distribution and is fully adjustable with 360° pan and 35° tilt without breaking the ceiling line. The medium beam in our 8.40W 700lm module has a peak intensity of 5754cd. The integral accessory holder can accommodate 32mm lenses and louvers.

MECHANICAL & ELECTRICAL

CATEGORY IP54

MATERIAL Machined AL 6063-T6

PAN 360°

TILT 35°

LOCKABLE N/A

WEIGHT 264g | 0.58lb

WATTAGE 8.40W

FORWARD VOLTAGE 12V

DRIVE CURRENT 700mA

SUPPLY TYPE Constant Current

DRIVER LOCATION Remote

DIMMING DALI | 0-10V | 1-10V | Casambi

MOUNTING

MOUNTING Recessed

CEILING THICKNESS 3-25mm (0.12-0.98")

CUTOUT ø65mm (2.56")

MIN CEILING VOID 20mm (0.79") clearance above

FINISHES

FINISHES Brushed Aluminium | White RAL9010 | Black RAL9005 | Rubbed Bronze* | Polished Brass* | Polished Chrome*

*Premium & custom finishes are built & finished to order. These are subject to an extended lead time & MOQ.

OPTICAL & STANDARDS

NOMINAL LUMENS 700lm

DELIVERED LUMENS 643lm

COLOUR TEMPERATURE 2700K | 3000K

ACCESSORY HOLDER Integral

ACCESSORIES Louver | Lenses 32mm

TM65 13.53kgCO2e

TM66 2.2

BEAM ANGLE 18°

CRI 92 TYP

TM-30 RF: 90 RG: 99

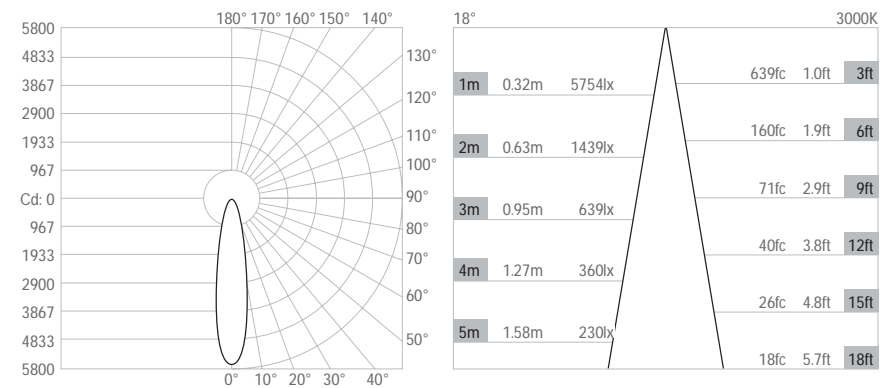
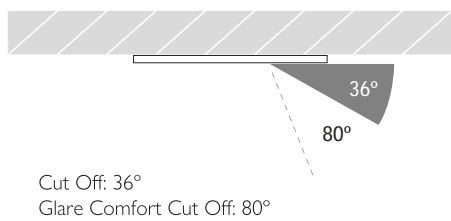
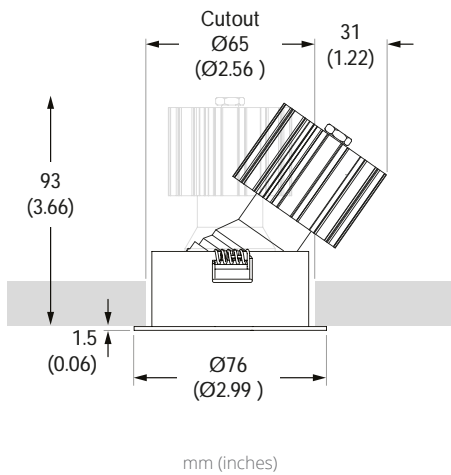
WARRANTY 5 Years

LIFETIME L90B10 100,000hrs

STANDARDS



Photometry shown is for 3000K module. Please enquire for other CCT photometry.



TRIM FINISH	APERTURE FINISH	LED CCT	BEAM ANGLE
RCD-637	W White RAL9010 B Black RAL9005 A Brushed Aluminium R Rubbed Bronze* P Polished Brass* C Polished Chrome*	W White RAL9010 B Black RAL9005 G Matt Gold Paint*	UN Ultra Narrow NA Narrow ME Medium FL Flood WF Wide Flood
		2792 2700K 92CRI 3092 3000K 92CRI 4092 4000K 92CRI	

Example Code: RCD-637-WB-3092ME

*Premium & custom finishes are built to order, subject to an extended lead time & MOQ

MINIMO 16 ADJUSTABLE IP54

30° FLOOD BEAM



TECHNICAL DESCRIPTION

Minimo 16 Adjustable IP54 is a Constant Current single source LED downlight that is machined from aerospace grade aluminium 6063-T6 and comes as standard in white and black along with a range of premium finishes. It has five site-changeable optics for flexible beam distribution and is fully adjustable with 360° pan and 35° tilt without breaking the ceiling line. The flood beam in our 8.40W 700lm module has a peak intensity of 1813cd. The integral accessory holder can accommodate 32mm lenses and louvers.

MECHANICAL & ELECTRICAL

CATEGORY IP54

MATERIAL Machined AL 6063-T6

PAN 360°

TILT 35°

LOCKABLE N/A

WEIGHT 264g | 0.58lb

WATTAGE 8.40W

FORWARD VOLTAGE 12V

DRIVE CURRENT 700mA

SUPPLY TYPE Constant Current

DRIVER LOCATION Remote

DIMMING DALI | 0-10V | 1-10V | Casambi

MOUNTING

MOUNTING Recessed

CEILING THICKNESS 3-25mm (0.12-0.98")

CUTOUT ø65mm (2.56")

MIN CEILING VOID 20mm (0.79") clearance above

FINISHES

FINISHES Brushed Aluminium | White RAL9010 | Black RAL9005 | Rubbed Bronze* | Polished Brass* | Polished Chrome*

*Premium & custom finishes are built & finished to order. These are subject to an extended lead time & MOQ.

OPTICAL & STANDARDS

NOMINAL LUMENS 700lm

DELIVERED LUMENS 555lm

COLOUR TEMPERATURE 2700K | 3000K

ACCESSORY HOLDER Integral

ACCESSORIES Louver | Lenses 32mm

TM65 13.53kgCO2e

TM66 2.2

BEAM ANGLE 30°

CRI 92 TYP

TM-30 RF: 90 RG: 99

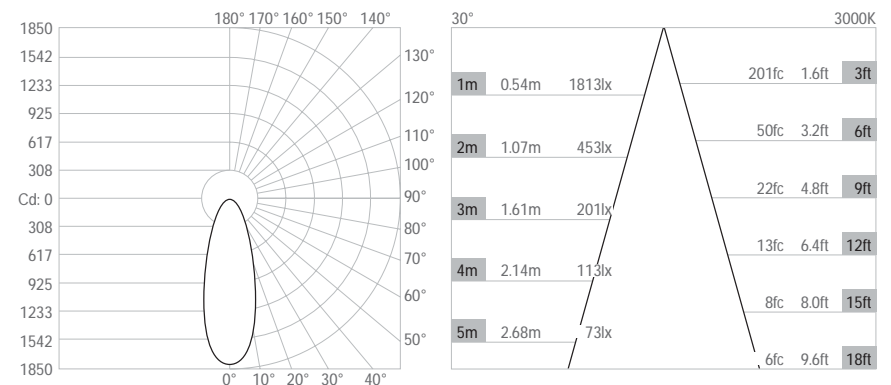
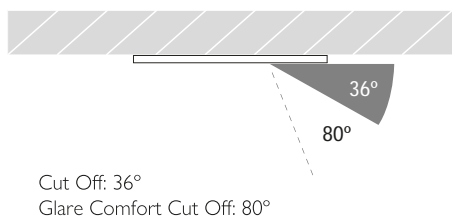
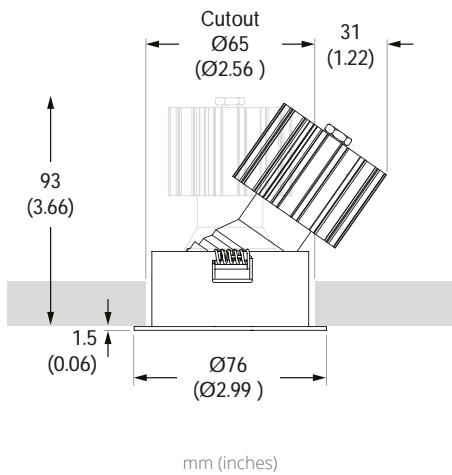
WARRANTY 5 Years

LIFETIME L90B10 100,000hrs

STANDARDS



Photometry shown is for 3000K module. Please enquire for other CCT photometry.



TRIM FINISH	APERTURE FINISH	LED CCT	BEAM ANGLE
RCD-637			
W White RAL9010	W White RAL9010	2792 2700K 92CRI	UN Ultra Narrow
B Black RAL9005	B Black RAL9005	3092 3000K 92CRI	NA Narrow
A Brushed Aluminium	G Matt Gold Paint*	4092 4000K 92CRI	ME Medium
R Rubbed Bronze*			FL Flood
P Polished Brass*			WF Wide Flood
C Polished Chrome*			

Example Code: RCD-637-WB-3092FL

*Premium & custom finishes are built to order, subject to an extended lead time & MOQ

MINIMO 16 ADJUSTABLE IP54

50° WIDE FLOOD BEAM



TECHNICAL DESCRIPTION

Minimo 16 Adjustable IP54 is a Constant Current single source LED downlight that is machined from aerospace grade aluminium 6063-T6 and comes as standard in white and black along with a range of premium finishes. It has five site-changeable optics for flexible beam distribution and is fully adjustable with 360° pan and 35° tilt without breaking the ceiling line. The wide flood beam in our 8.40W 700lm module has a peak intensity of 660cd. The integral accessory holder can accommodate 32mm lenses and louvers.

MECHANICAL & ELECTRICAL

CATEGORY IP54

MATERIAL Machined AL 6063-T6

PAN 360°

TILT 35°

LOCKABLE N/A

WEIGHT 264g | 0.58lb

WATTAGE 8.40W

FORWARD VOLTAGE 12V

DRIVE CURRENT 700mA

SUPPLY TYPE Constant Current

DRIVER LOCATION Remote

DIMMING DALI | 0-10V | 1-10V | Casambi

MOUNTING

MOUNTING Recessed

CEILING THICKNESS 3-25mm (0.12-0.98")

CUTOUT ø65mm (2.56")

MIN CEILING VOID 20mm (0.79") clearance above

FINISHES

FINISHES Brushed Aluminium | White RAL9010 | Black RAL9005 | Rubbed Bronze* | Polished Brass* | Polished Chrome*

*Premium & custom finishes are built & finished to order. These are subject to an extended lead time & MOQ.

OPTICAL & STANDARDS

NOMINAL LUMENS 700lm

DELIVERED LUMENS 546lm

COLOUR TEMPERATURE 2700K | 3000K

ACCESSORY HOLDER Integral

ACCESSORIES Louver | Lenses 32mm

TM65 13.53kgCO2e

TM66 2.2

BEAM ANGLE 50°

CRI 92 TYP

TM-30 RF: 90 RG: 99

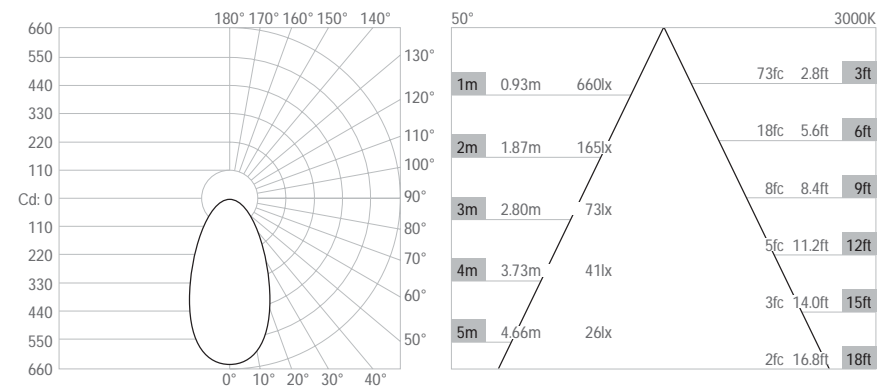
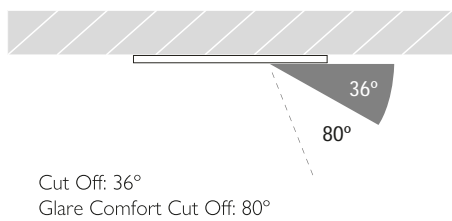
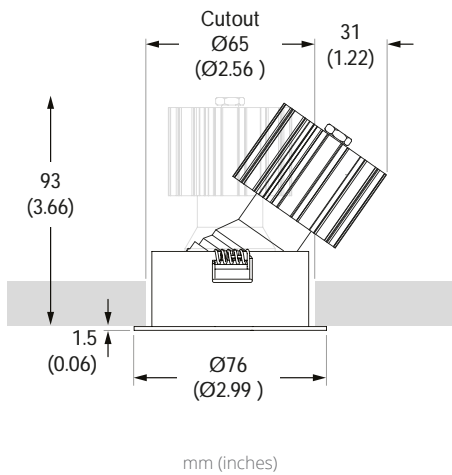
WARRANTY 5 Years

LIFETIME L90B10 100,000hrs

STANDARDS



Photometry shown is for 3000K module. Please enquire for other CCT photometry.



TRIM FINISH

APERTURE FINISH

LED CCT

BEAM ANGLE

RCD-637

W White RAL9010

B Black RAL9005

A Brushed Aluminium

R Rubbed Bronze*

P Polished Brass*

C Polished Chrome*

W White RAL9010

B Black RAL9005

G Matt Gold Paint*

2792 2700K 92CRI

3092 3000K 92CRI

4092 4000K 92CRI

UN Ultra Narrow

NA Narrow

ME Medium

FL Flood

WF Wide Flood

Example Code: RCD-637-WB-3092WF

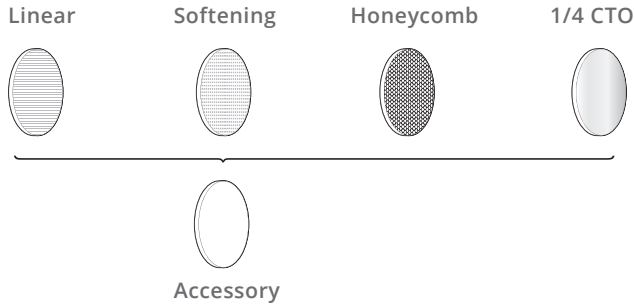
*Premium & custom finishes are built to order, subject to an extended lead time & MOQ

MINIMO 16

FOR USE WITH MINIMO PRO | PLUS | DYNAMIC WHITE

ACCESSORIES

The Minimo 16 Pro | Plus | Dynamic White can accommodate 1 accessory with no additional holder required as standard.



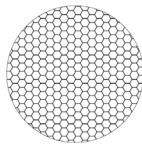
Honeycomb Louvre

Enhances glare control

THICKNESS 3.2mm (0.126")

DAIMETER 32mm (1.260")

PART CODE 995-32-BK



1/4 CTO Dichroic

CCT warming - approx 300K

THICKNESS 1.8mm (0.071")

DAIMETER 32mm (1.260")

PART CODE 997-1/4CTO-32



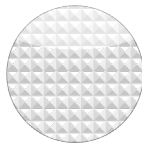
Softening Lens

Heavy Diffusion of beam

THICKNESS 3.2mm (0.126")

DAIMETER 32mm (1.260")

PART CODE 991-32



Linear Lens

Elongates beam

THICKNESS 3.9mm (0.154")

DAIMETER 32mm (1.260")

PART CODE 992-32

