

# MINIMO 16 PLUS ADJUSTABLE PINHOLE IP54

19° NARROW BEAM



## TECHNICAL DESCRIPTION

Minimo 16 Plus Adjustable Pinhole IP54 is a Constant Current single source pro-series downlight that is machined from aerospace grade aluminium 6063-T6 and comes as standard in white and black. It has four site-changeable optics for flexible beam distribution and is fully adjustable with 360° pan and 35° tilt without breaking the ceiling line. The narrow beam in our 12.60W 1200lm module has a peak intensity of 6389cd. The integral accessory holder can accommodate 32mm lenses and louvers.

## MECHANICAL & ELECTRICAL

**CATEGORY** IP54

**MATERIAL** Machined AL 6063-T6

**PAN** 360°

**TILT** 35°

**LOCKABLE** N/A

**WEIGHT** 264g | 0.58lb

**WATTAGE** 12.60W

**FORWARD VOLTAGE** 18V

**DRIVE CURRENT** 700mA

**SUPPLY TYPE** Constant Current

**DRIVER LOCATION** Remote

**DIMMING** DALI | 0-10V | 1-10V | Casambi

## MOUNTING

**MOUNTING** Recessed

**CEILING THICKNESS** 3-25mm (0.12-0.98")

**CUTOUT** ø65mm (2.56")

**MIN CEILING VOID** 20mm (0.79") clearance above

## FINISHES

**FINISHES** White RAL9010 | Black RAL9005

\*Premium & custom finishes are built & finished to order. These are subject to an extended lead time & MOQ.

## OPTICAL & STANDARDS

**NOMINAL LUMENS** 1200lm

**DELIVERED LUMENS** 887lm

**COLOUR TEMPERATURE** 2400K | 2700K | 3000K

**ACCESSORY HOLDER** Integral

**ACCESSORIES** Louver | Lenses 32mm

**TM65** 13.53kgCO2e

**TM66** 2.2

**BEAM ANGLE** 19°

**CRI** 92 TYP - 2400K | 98 TYP - 2700K/3000K

**TM-30** RF: 95 RG: 101

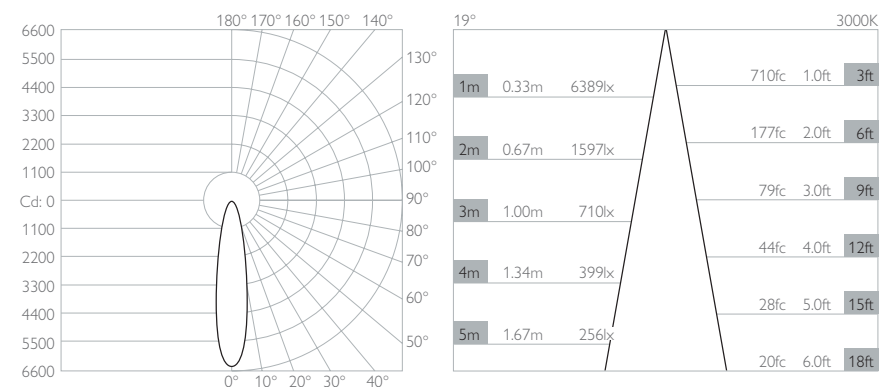
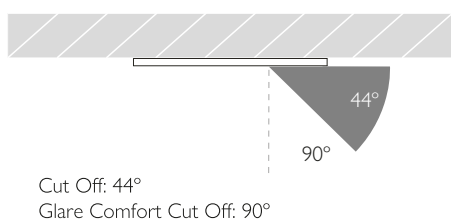
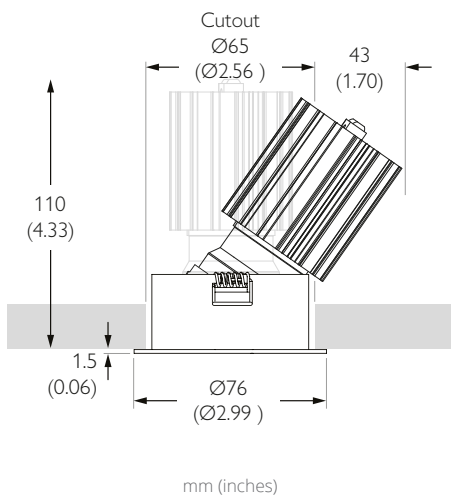
**WARRANTY** 5 Years

**LIFETIME** L90B10 50,000hrs

**STANDARDS**



Photometry shown is for 3000K module. Please enquire for other CCT photometry.



FINISH	LED CCT	BEAM ANGLE
RCD-638C	2490 2400K 90CRI	NA Narrow 19°
WW White RAL9010	2798 2700K 98CRI	ME Medium 25°
BB Black RAL9005	3098 3000K 98CRI	WD Wide 37°
		VW Very Wide 50°

Example Code: RCD-638C-WW-2798ME

\*Premium & custom finishes are built to order, subject to an extended lead time & MOQ

# MINIMO 16 PLUS ADJUSTABLE PINHOLE IP54

25° MEDIUM BEAM



## TECHNICAL DESCRIPTION

Minimo 16 Plus Adjustable Pinhole IP54 is a Constant Current single source pro-series downlight that is machined from aerospace grade aluminium 6063-T6 and comes as standard in white and black. It has four site-changeable optics for flexible beam distribution and is fully adjustable with 360° pan and 35° tilt without breaking the ceiling line. The medium beam in our 12.60W 1200lm module has a peak intensity of 5069cd. The integral accessory holder can accommodate 32mm lenses and louvers.

## MECHANICAL & ELECTRICAL

**CATEGORY** IP54

**MATERIAL** Machined AL 6063-T6

**PAN** 360°

**TILT** 35°

**LOCKABLE** N/A

**WEIGHT** 264g | 0.58lb

**WATTAGE** 12.60W

**FORWARD VOLTAGE** 18V

**DRIVE CURRENT** 700mA

**SUPPLY TYPE** Constant Current

**DRIVER LOCATION** Remote

**DIMMING** DALI | 0-10V | 1-10V | Casambi

## MOUNTING

**MOUNTING** Recessed

**CEILING THICKNESS** 3-25mm (0.12-0.98")

**CUTOUT** ø65mm (2.56")

**MIN CEILING VOID** 20mm (0.79") clearance above

## FINISHES

**FINISHES** White RAL9010 | Black RAL9005

\*Premium & custom finishes are built & finished to order. These are subject to an extended lead time & MOQ.

## OPTICAL & STANDARDS

**NOMINAL LUMENS** 1200lm

**DELIVERED LUMENS** 1001lm

**COLOUR TEMPERATURE** 2400K | 2700K | 3000K

**ACCESSORY HOLDER** Integral

**ACCESSORIES** Louver | Lenses 32mm

**TM65** 13.53kgCO2e

**TM66** 2.2

**BEAM ANGLE** 25°

**CRI** 92 TYP - 2400K | 98 TYP - 2700K/3000K

**TM-30** RF: 95 RG: 101

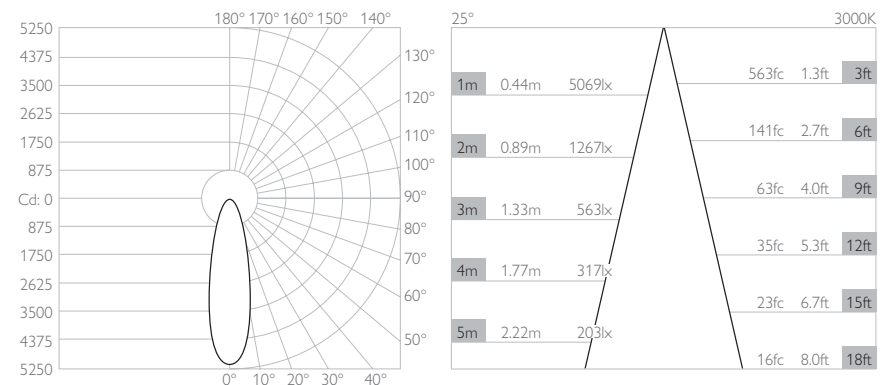
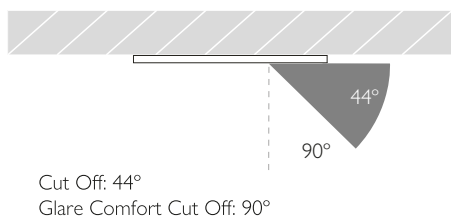
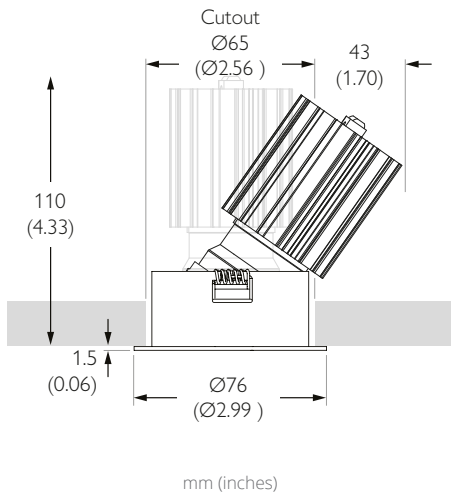
**WARRANTY** 5 Years

**LIFETIME** L90B10 50,000hrs

**STANDARDS**



Photometry shown is for 3000K module. Please enquire for other CCT photometry.



FINISH	LED CCT	BEAM ANGLE
RCD-638C	2490 2400K 90CRI 2798 2700K 98CRI 3098 3000K 98CRI	NA Narrow 19° ME Medium 25° WD Wide 37° VW Very Wide 50°
WW White RAL9010		
BB Black RAL9005		

Example Code: RCD-638C-WW-2798ME

\*Premium & custom finishes are built to order, subject to an extended lead time & MOQ

# MINIMO 16 PLUS ADJUSTABLE PINHOLE IP54

37° WIDE BEAM



## TECHNICAL DESCRIPTION

Minimo 16 Plus Adjustable Pinhole IP54 is a Constant Current single source pro-series downlight that is machined from aerospace grade aluminium 6063-T6 and comes as standard in white and black. It has four site-changeable optics for flexible beam distribution and is fully adjustable with 360° pan and 35° tilt without breaking the ceiling line. The wide beam in our 12.60W 1200lm module has a peak intensity of 2473cd. The integral accessory holder can accommodate 32mm lenses and louvers.

## MECHANICAL & ELECTRICAL

**CATEGORY** IP54

**MATERIAL** Machined AL 6063-T6

**PAN** 360°

**TILT** 35°

**LOCKABLE** N/A

**WEIGHT** 264g | 0.58lb

**WATTAGE** 12.60W

**FORWARD VOLTAGE** 18V

**DRIVE CURRENT** 700mA

**SUPPLY TYPE** Constant Current

**DRIVER LOCATION** Remote

**DIMMING** DALI | 0-10V | 1-10V | Casambi

## MOUNTING

**MOUNTING** Recessed

**CEILING THICKNESS** 3-25mm (0.12-0.98")

**CUTOUT** ø65mm (2.56")

**MIN CEILING VOID** 20mm (0.79") clearance above

## FINISHES

**FINISHES** White RAL9010 | Black RAL9005

\*Premium & custom finishes are built & finished to order. These are subject to an extended lead time & MOQ.

## OPTICAL & STANDARDS

**NOMINAL LUMENS** 1200lm

**DELIVERED LUMENS** 997lm

**COLOUR TEMPERATURE** 2400K | 2700K | 3000K

**ACCESSORY HOLDER** Integral

**ACCESSORIES** Louver | Lenses 32mm

**TM65** 13.53kgCO2e

**TM66** 2.2

**BEAM ANGLE** 37°

**CRI** 92 TYP - 2400K | 98 TYP - 2700K/3000K

**TM-30** RF: 95 RG: 101

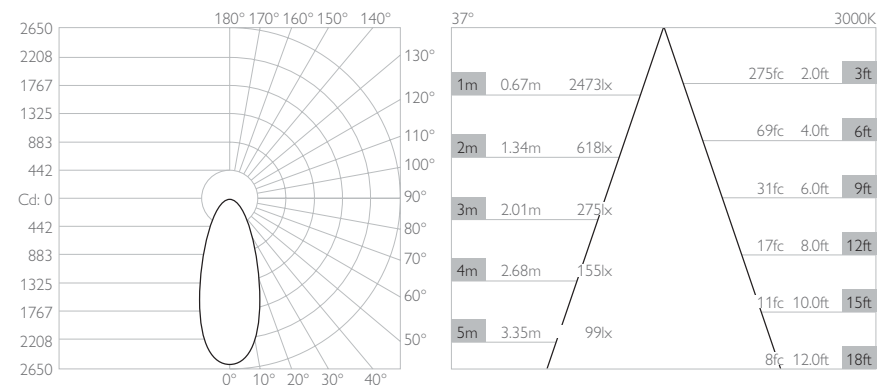
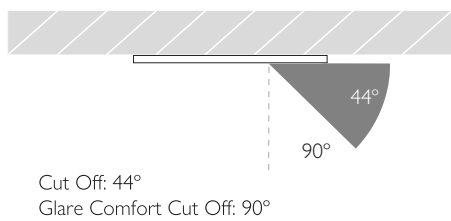
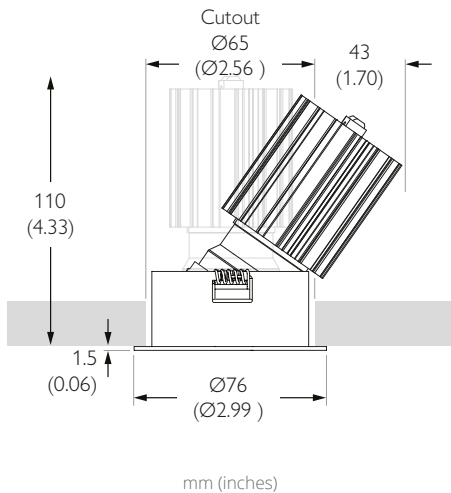
**WARRANTY** 5 Years

**LIFETIME** L90B10 50,000hrs

**STANDARDS**



Photometry shown is for 3000K module. Please enquire for other CCT photometry.



FINISH	LED CCT	BEAM ANGLE
RCD-638C	2490 2400K 90CRI 2798 2700K 98CRI 3098 3000K 98CRI	NA Narrow 19° ME Medium 25° WD Wide 37° VW Very Wide 50°
WW White RAL9010		
BB Black RAL9005		

Example Code: RCD-638C-WW-2798ME

\*Premium & custom finishes are built to order, subject to an extended lead time & MOQ

# MINIMO 16 PLUS ADJUSTABLE PINHOLE IP54

50° VERY WIDE BEAM



## TECHNICAL DESCRIPTION

Minimo 16 Plus Adjustable Pinhole IP54 is a Constant Current single source pro-series downlight that is machined from aerospace grade aluminium 6063-T6 and comes as standard in white and black. It has four site-changeable optics for flexible beam distribution and is fully adjustable with 360° pan and 35° tilt without breaking the ceiling line. The very wide beam in our 12.60W 1200lm module has a peak intensity of 1537cd. The integral accessory holder can accommodate 32mm lenses and louvers.

## MECHANICAL & ELECTRICAL

**CATEGORY** IP54

**MATERIAL** Machined AL 6063-T6

**PAN** 360°

**TILT** 35°

**LOCKABLE** N/A

**WEIGHT** 264g | 0.58lb

**WATTAGE** 12.60W

**FORWARD VOLTAGE** 18V

**DRIVE CURRENT** 700mA

**SUPPLY TYPE** Constant Current

**DRIVER LOCATION** Remote

**DIMMING** DALI | 0-10V | 1-10V | Casambi

## MOUNTING

**MOUNTING** Recessed

**CEILING THICKNESS** 3-25mm (0.12-0.98")

**CUTOUT** ø65mm (2.56")

**MIN CEILING VOID** 20mm (0.79") clearance above

## FINISHES

**FINISHES** White RAL9010 | Black RAL9005

\*Premium & custom finishes are built & finished to order. These are subject to an extended lead time & MOQ.

## OPTICAL & STANDARDS

**NOMINAL LUMENS** 1200lm

**DELIVERED LUMENS** 912lm

**COLOUR TEMPERATURE** 2400K | 2700K | 3000K

**ACCESSORY HOLDER** Integral

**ACCESSORIES** Louver | Lenses 32mm

**TM65** 13.53kgCO2e

**TM66** 2.2

**BEAM ANGLE** 50°

**CRI** 92 TYP - 2400K | 98 TYP - 2700K/3000K

**TM-30** RF: 95 RG: 101

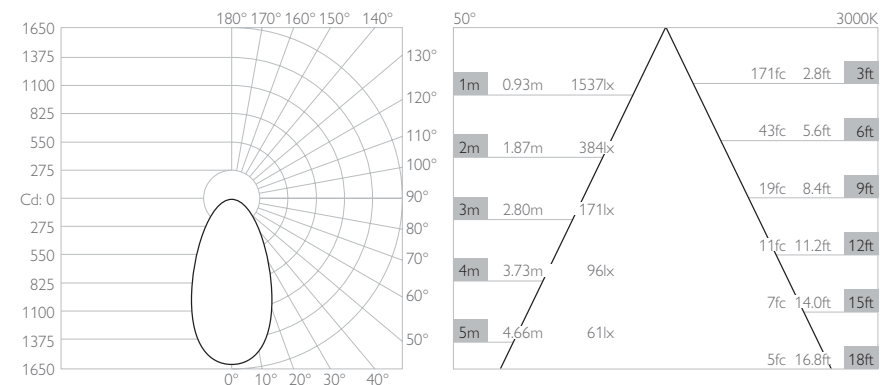
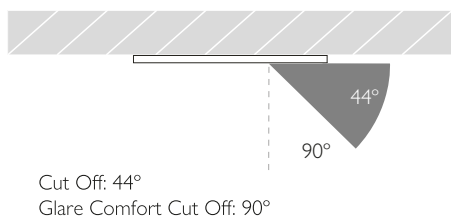
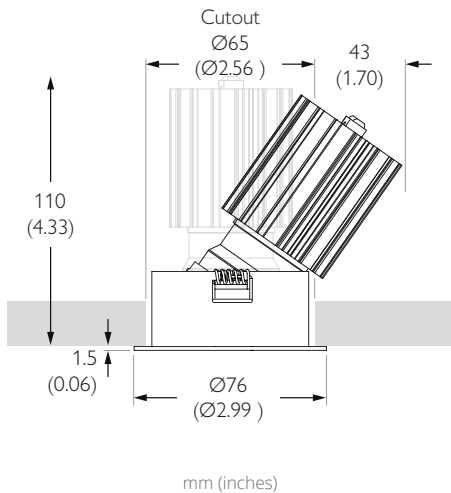
**WARRANTY** 5 Years

**LIFETIME** L90B10 50,000hrs

**STANDARDS**



Photometry shown is for 3000K module. Please enquire for other CCT photometry.



FINISH	LED CCT	BEAM ANGLE
RCD-638C	2490 2400K 90CRI	NA Narrow 19°
WW White RAL9010	2798 2700K 98CRI	ME Medium 25°
BB Black RAL9005	3098 3000K 98CRI	WD Wide 37°
		VW Very Wide 50°

Example Code: RCD-638C-WW-2798ME

\*Premium & custom finishes are built to order, subject to an extended lead time & MOQ

# MINIMO PRO - PLUS LIGHT ENGINE

## DRIVER COMPATIBILITY

### 20W | DIMMING: DALI OR 0-10V

NO. OF LIGHTS PER DRIVER 1  
 MIN DIM LEVEL 0.1%  
 VOLTAGE REGION 230V  
 FOR NORTH AMERICA No  
 WATTAGE 20W  
 SUPPLY TYPE Constant Current  
 DRIVER LOCATION Remote  
 MANUFACTURER Eldoled  
 PASS THROUGH CUTOUT Yes



DALI CODE PSCC-20-700-D-EL  
 0-10V CODE PSCC-20-700-A-EL

LENGTH 160mm (6.30") WIDTH 41mm (1.63") HEIGHT 30mm (1.18")



### 30W | DIMMING: DALI OR 0-10V

NO. OF LIGHTS PER DRIVER 1 to 2 in series  
 MIN DIM LEVEL 0.1%  
 VOLTAGE REGION 120V  
 FOR NORTH AMERICA Yes  
 WATTAGE 30W  
 SUPPLY TYPE Constant Current  
 DRIVER LOCATION Remote  
 MANUFACTURER Eldoled



DALI CODE USCC-30-700-D-EL-ENC  
 0-10V CODE USCC-30-700-A-EL-ENC

LENGTH 348mm (13.7") WIDTH 65mm (2.6") HEIGHT 47mm (1.9")



### 12W | DIMMING: PHASE

NO. OF LIGHTS PER DRIVER 1  
 MIN DIM LEVEL 1%  
 VOLTAGE REGION 120V  
 FOR NORTH AMERICA Yes  
 WATTAGE 12W  
 SUPPLY TYPE Constant Current  
 DRIVER LOCATION Remote  
 MANUFACTURER Hatch



PHASE CODE USCC-12-700-P-HT-ENC

LENGTH 247mm (9.7") WIDTH 65mm (2.6") HEIGHT 47mm (1.9")

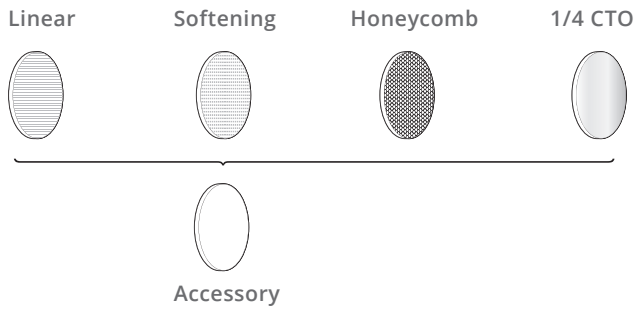


# MINIMO 16

FOR USE WITH MINIMO PRO | PLUS | DYNAMIC WHITE

## ACCESSORIES

The Minimo 16 Pro | Plus | Dynamic White can accommodate 1 accessory with no additional holder required as standard.



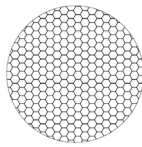
### Honeycomb Louvre

*Enhances glare control*

**THICKNESS** 3.2mm (0.126")

**DAIMETER** 32mm (1.260")

**PART CODE** 995-32-BK



### 1/4 CTO Dichroic

*CCT warming - approx 300K*

**THICKNESS** 1.8mm (0.071")

**DAIMETER** 32mm (1.260")

**PART CODE** 997-1/4CTO-32



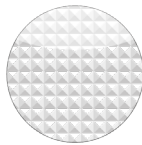
### Softening Lens

*Heavy Diffusion of beam*

**THICKNESS** 3.2mm (0.126")

**DAIMETER** 32mm (1.260")

**PART CODE** 991-32



### Linear Lens

*Elongates beam*

**THICKNESS** 3.9mm (0.154")

**DAIMETER** 32mm (1.260")

**PART CODE** 992-32

