

MINIMO DYNAMIC WHITE ADJUSTABLE PINHOLE IP54

32° WIDE BEAM



TECHNICAL DESCRIPTION

Minimo Dynamic White Adjustable Pinhole IP54 is a Constant Current single source pro-series downlight with the option of 2 CCT tuning ranges (1800-3000K / 2700-5000K) and comes as standard in white and black. It has four site-changeable optics for flexible beam distribution and is fully adjustable with 360° pan and 35° tilt without breaking the ceiling line. The wide beam in our 12.60W 1050lm module has a peak intensity of 2930cd. The integral accessory holder can accommodate 32mm lenses and louvers.

MECHANICAL & ELECTRICAL

CATEGORY IP54

MATERIAL Machined AL 6063-T6

PAN 360°

TILT 35°

LOCKABLE N/A

WEIGHT 264g | 0.58lb

WATTAGE 12.60W

FORWARD VOLTAGE 18V

SUPPLY TYPE Constant Current Dual Channel

DRIVER LOCATION Remote

DIMMING DALI | 0-10V

MOUNTING

MOUNTING Recessed

CEILING THICKNESS 3-25mm (0.12-0.98")

CUTOUT ø65mm (2.56")

MIN CEILING VOID 20mm (0.79") clearance above

FINISHES

FINISHES White RAL9010 | Black RAL9005

*Premium & custom finishes are built & finished to order. These are subject to an extended lead time & MOQ.

OPTICAL & STANDARDS

NOMINAL LUMENS 1050lm

DELIVERED LUMENS 902lm

COLOUR TEMPERATURE 1800-3000K | 2700-5000K

ACCESSORY HOLDER Integral

ACCESSORIES Louver | Lenses 32mm

TM65 13.53kgCO2e

TM66 2.2

BEAM ANGLE 32°

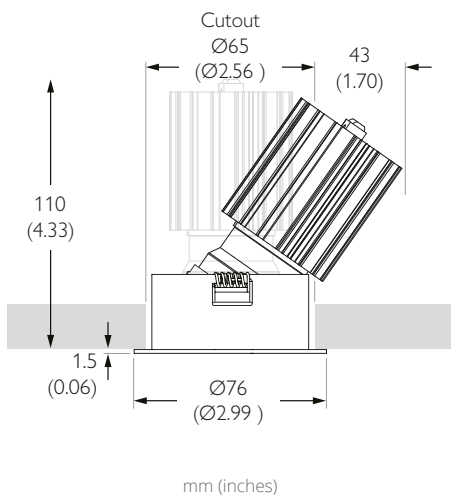
CRI 94 TYP

TM-30 RF: 92 RG: 99

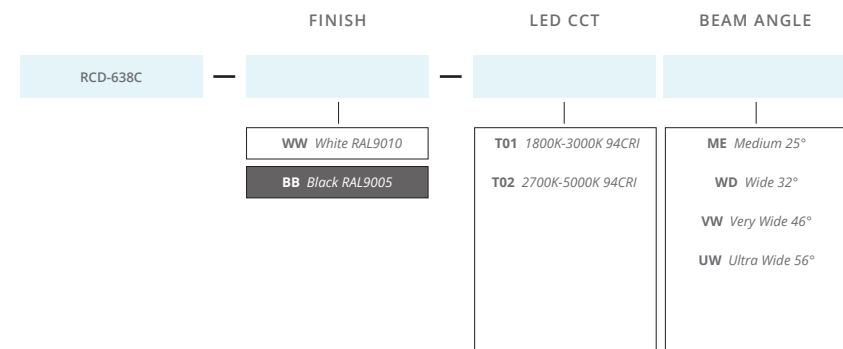
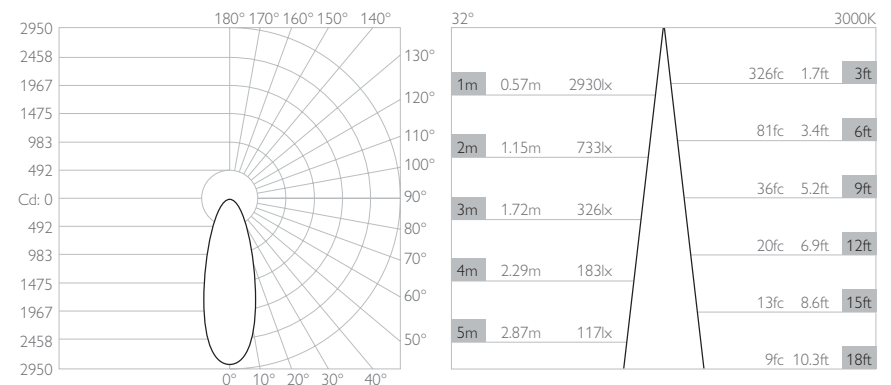
WARRANTY 5 Years

LIFETIME L90B10 50,000hrs

STANDARDS



| LIGHT ENGINE | | OUTPUT SCALING | |
|--------------|--------------|----------------|--------------|
| 1800-3000K | 2700-5000K | Scaling Value | Delivered lm |
| 1800K | | 0.57 | 514lm |
| 2100K | | 0.70 | 631lm |
| 2400K | | 0.77 | 695lm |
| 2700K | 2700K | 0.85 | 767lm |
| 3000K | 3000K | 1.00 | 902lm |
| | 3500K | 1.05 | 947lm |
| | 4000K | 1.05 | 947lm |
| | 4500K | 1.05 | 956lm |
| | 5000K | 1.06 | 956lm |



Example Code: RCD-638C-WW-T02WD

*Premium & custom finishes are built to order, subject to an extended lead time & MOQ

MINIMO DYNAMIC WHITE ADJUSTABLE PINHOLE IP54

46° VERY WIDE BEAM



TECHNICAL DESCRIPTION

Minimo Dynamic White Adjustable Pinhole IP54 is a Constant Current single source pro-series downlight with the option of 2 CCT tuning ranges (1800-3000K / 2700-5000K) and comes as standard in white and black. It has four site-changeable optics for flexible beam distribution and is fully adjustable with 360° pan and 35° tilt without breaking the ceiling line. The very wide beam in our 12.60W 1050lm module has a peak intensity of 1560cd. The integral accessory holder can accommodate 32mm lenses and louvers.

MECHANICAL & ELECTRICAL

CATEGORY IP54

MATERIAL Machined AL 6063-T6

PAN 360°

TILT 35°

LOCKABLE N/A

WEIGHT 264g | 0.58lb

WATTAGE 12.60W

FORWARD VOLTAGE 18V

SUPPLY TYPE Constant Current Dual Channel

DRIVER LOCATION Remote

DIMMING DALI | 0-10V

MOUNTING

MOUNTING Recessed

CEILING THICKNESS 3-25mm (0.12-0.98")

CUTOUT ø65mm (2.56")

MIN CEILING VOID 20mm (0.79") clearance above

FINISHES

FINISHES White RAL9010 | Black RAL9005

*Premium & custom finishes are built & finished to order. These are subject to an extended lead time & MOQ.

OPTICAL & STANDARDS

NOMINAL LUMENS 1050lm

DELIVERED LUMENS 892lm

COLOUR TEMPERATURE 1800-3000K | 2700-5000K

ACCESSORY HOLDER Integral

ACCESSORIES Louver | Lenses 32mm

TM65 13.53kgCO2e

TM66 2.2

BEAM ANGLE 46°

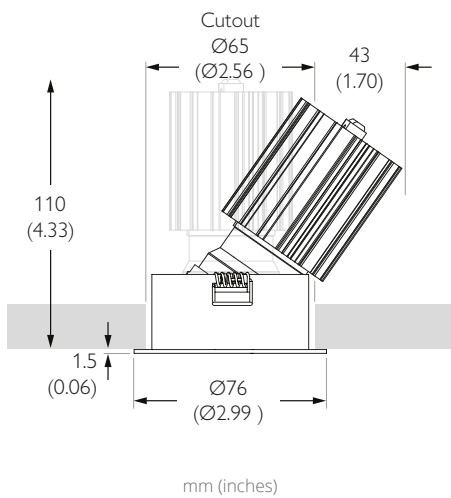
CRI 94 TYP

TM-30 RF: 92 RG: 99

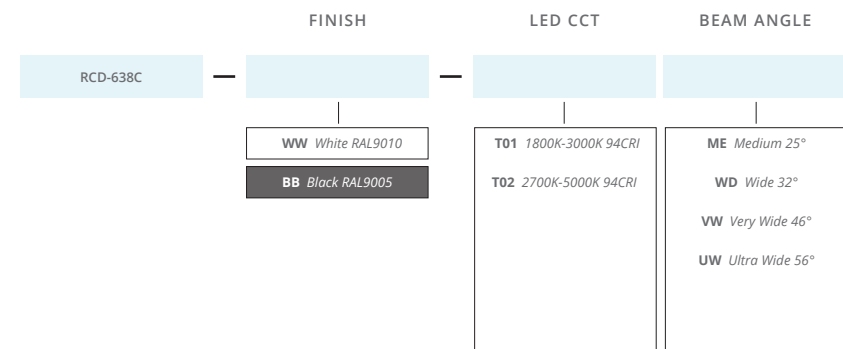
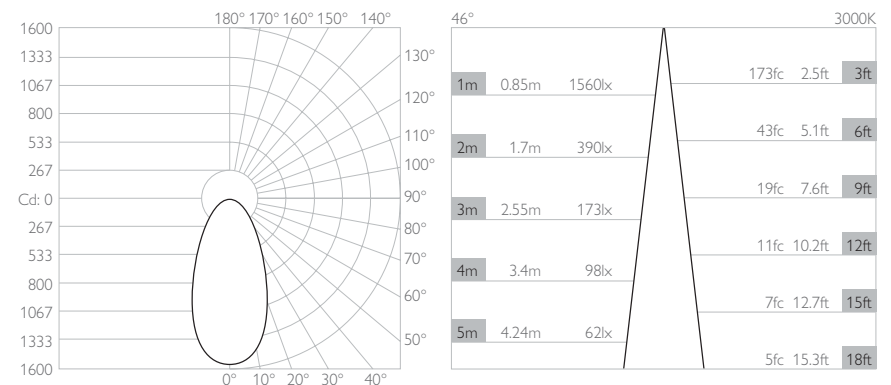
WARRANTY 5 Years

LIFETIME L90B10 50,000hrs

STANDARDS



| LIGHT ENGINE | | OUTPUT SCALING | |
|--------------|--------------|----------------|--------------|
| 1800-3000K | 2700-5000K | Scaling Value | Delivered lm |
| 1800K | | 0.57 | 508lm |
| 2100K | | 0.70 | 624lm |
| 2400K | | 0.77 | 687lm |
| 2700K | 2700K | 0.85 | 758lm |
| 3000K | 3000K | 1.00 | 892lm |
| | 3500K | 1.05 | 937lm |
| | 4000K | 1.05 | 937lm |
| | 4500K | 1.05 | 946lm |
| | 5000K | 1.06 | 946lm |



Example Code: RCD-638C-WW-T02WD

*Premium & custom finishes are built to order, subject to an extended lead time & MOQ

MINIMO DYNAMIC WHITE ADJUSTABLE PINHOLE IP54

56° ULTRA WIDE BEAM



TECHNICAL DESCRIPTION

Minimo Dynamic White Adjustable Pinhole IP54 is a Constant Current single source pro-series downlight with the option of 2 CCT tuning ranges (1800-3000K / 2700-5000K) and comes as standard in white and black. It has four site-changeable optics for flexible beam distribution and is fully adjustable with 360° pan and 35° tilt without breaking the ceiling line. The ultra wide beam in our 12.60W 1050lm module has a peak intensity of 1080cd. The integral accessory holder can accommodate 32mm lenses and louvers.

MECHANICAL & ELECTRICAL

CATEGORY IP54

MATERIAL Machined AL 6063-T6

PAN 360°

TILT 35°

LOCKABLE N/A

WEIGHT 264g | 0.58lb

WATTAGE 12.60W

FORWARD VOLTAGE 18V

SUPPLY TYPE Constant Current Dual Channel

DRIVER LOCATION Remote

DIMMING DALI | 0-10V

MOUNTING

MOUNTING Recessed

CEILING THICKNESS 3-25mm (0.12-0.98")

CUTOUT ø65mm (2.56")

MIN CEILING VOID 20mm (0.79") clearance above

FINISHES

FINISHES White RAL9010 | Black RAL9005

*Premium & custom finishes are built & finished to order. These are subject to an extended lead time & MOQ.

OPTICAL & STANDARDS

NOMINAL LUMENS 1050lm

DELIVERED LUMENS 877lm

COLOUR TEMPERATURE 1800-3000K | 2700-5000K

ACCESSORY HOLDER Integral

ACCESSORIES Louver | Lenses 32mm

TM65 13.53kgCO2e

TM66 2.2

BEAM ANGLE 56°

CRI 94 TYP

TM-30 RF: 92 RG: 99

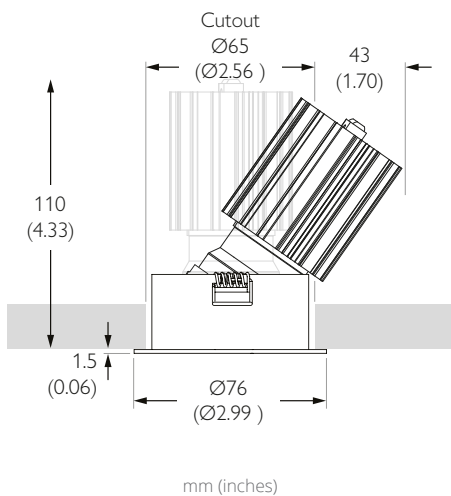
WARRANTY 5 Years

LIFETIME L90B10 50,000hrs

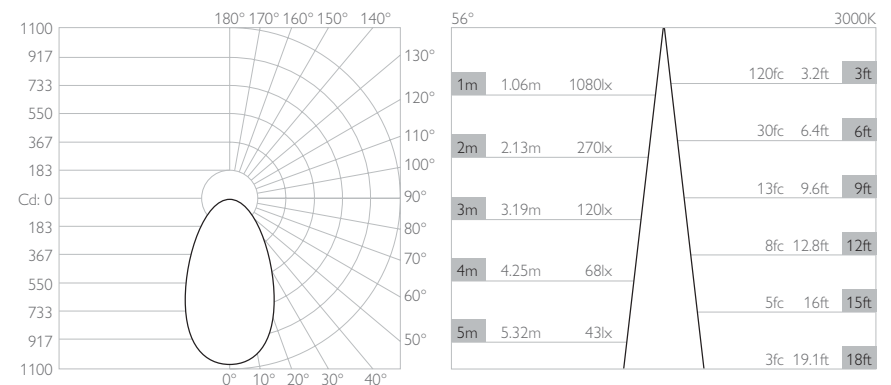
STANDARDS



All data is for 2700-5000K module at 3000K. Scaling table shows output at different CCT settings.



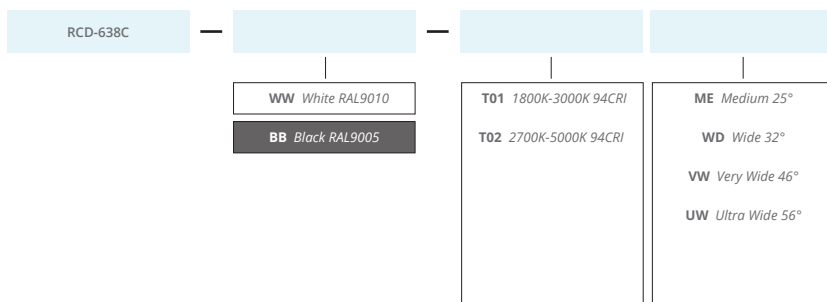
| LIGHT ENGINE | | OUTPUT SCALING | |
|--------------|--------------|----------------|--------------|
| 1800-3000K | 2700-5000K | Scaling Value | Delivered lm |
| 1800K | | 0.57 | 500lm |
| 2100K | | 0.70 | 614lm |
| 2400K | | 0.77 | 675lm |
| 2700K | 2700K | 0.85 | 745lm |
| 3000K | 3000K | 1.00 | 877lm |
| | 3500K | 1.05 | 921lm |
| | 4000K | 1.05 | 921lm |
| | 4500K | 1.05 | 930lm |
| | 5000K | 1.06 | 930lm |



FINISH

LED CCT

BEAM ANGLE



Example Code: RCD-638C-WW-T02WD

*Premium & custom finishes are built to order, subject to an extended lead time & MOQ

