

Square Downlight Features

- 25mm trim packs high performance and punch from an incredibly small downlight
- Magnetic retention for interchangeable optics allows for easy beam adjustment in the field
- Constant Voltage design simplifies installation, allowing multiple downlights to operate from a single Power Supply
- For ceiling thicknesses from 13mm to 51 mm
- Connect to 24V DC SELV
- IP20

Finish Options

- Black powder coated
- White powder coated



Technical Information

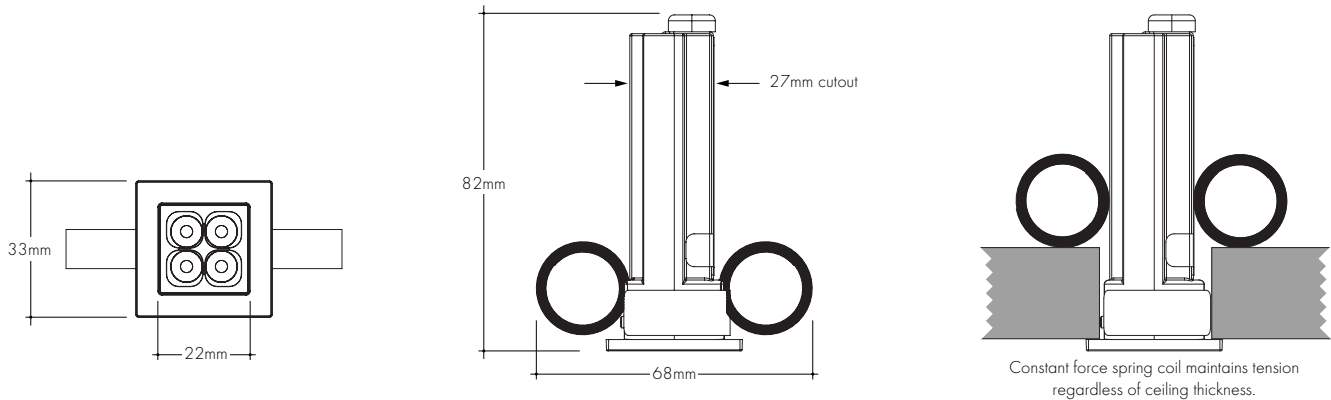
OUTPUT	SO			
	R30*	LV15	LV30	LV60
Lumen Output (3000K)	633 lm	461 lm	445 lm	364 lm
Beam Spread (FWHM)	26°	15°	29°	58°
CBCP	2481 cd	3981 cd	1300 cd	399 cd
Power Consumption	7.4 W			
Efficacy	84 lm/W	62lm/W	60 lm/W	50 lm/W
Aesthetic	Baffle	Louver		

CCT INFO/ Lumen Multiplier

Colour Temperature	Multiplier (ref. 3000K)	TM-30			
		CRI	R _f	R _g	R ₉
2700K	0.96	93	92	100	62
3000K	1.00	94	92	100	66
3500K	1.01	95	92	100	74
4000K	1.03	93	91	101	79

*R30 30° optic with White Regressed Trim

Product Dimensions



Ordering Code

MODEL	SIZE	TRIM	TYPE	CCT	OUTPUT	OPTIC	FINISH
SD-Stenos Downlight	1D-25mm Square	T-Trimmed, 33mm	F-Fixed	27K-2700K 30K-3000K 35K-3500K 40K-4000K	SO-Standard	LV15-15° optic + Louver LV30-30° optic + Louver LV60-60° optic + Louver R15-15° optic Regressed Trim R30-30° optic Regressed Trim ¹	BK-Black WH-White

1 - R30 is interchangeable with only LV30 and LV60 accessories.

Ordering Code

Accessories

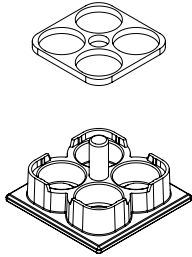
MODEL	TRIM	SIZE	FINISH
SD-Stenos Downlight	LV15-15° optic + Louver ¹ LV30-30° optic + Louver LV60-60° optic + Louver R-Regressed Baffle	1D-25mm Square	BK-Black WH-White

1 - LV15 accessory not compatible with R30 Downlight selection.

Accessories

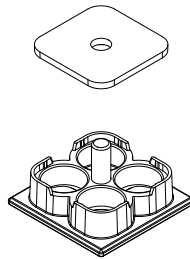
SAC-LV15-1D-XX

Stenos Accessory, 15° Optic and Louver, Minii 25mm Downlight



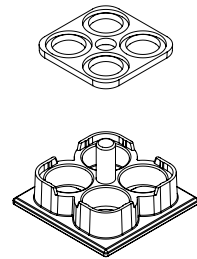
SAC-LV30-1D-XX

Stenos Accessory, 30° Optic and Louver, Minii 25mm Downlight



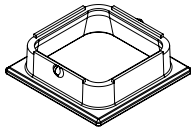
SAC-LV60-1D-XX

Stenos Accessory, 60° Optic and Louver, Minii 25mm Downlight



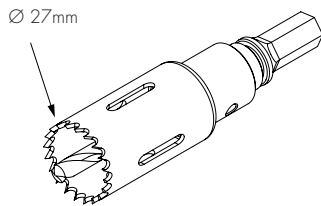
SAC-R-1D-XX

Regress Baffle



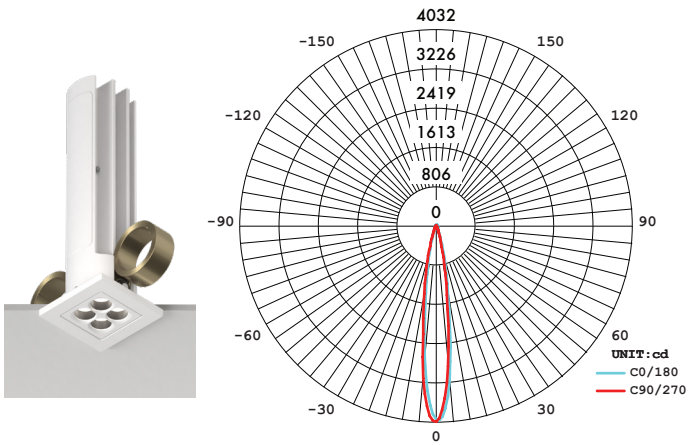
HS-27MM

Hole Saw and Shank, 27MM

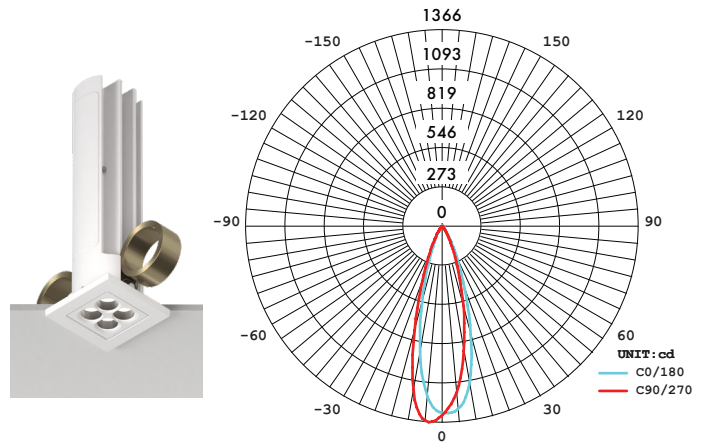


Photometry

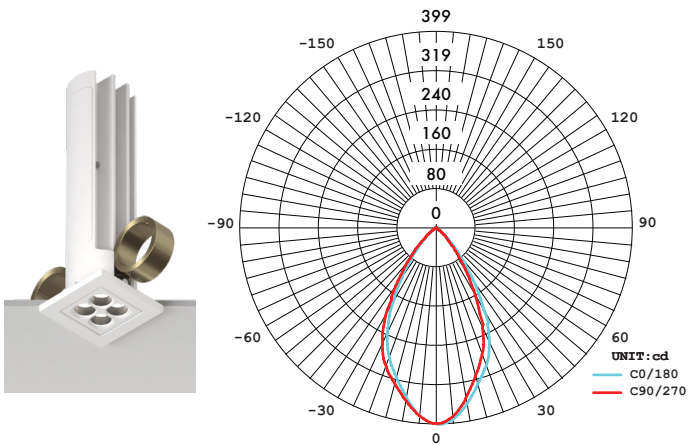
15° Optic and Louver



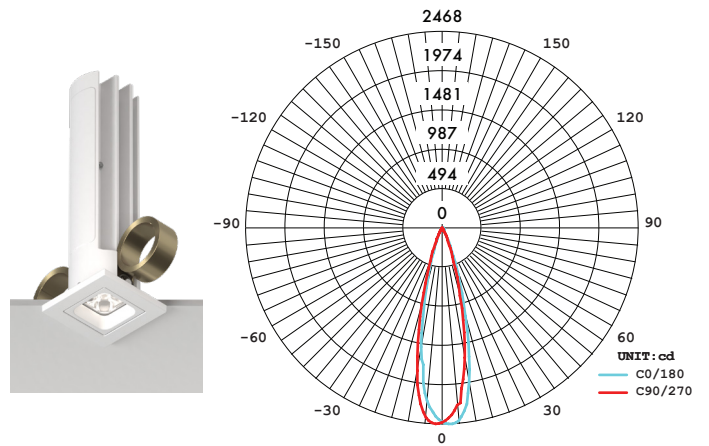
30° Optic and Louver



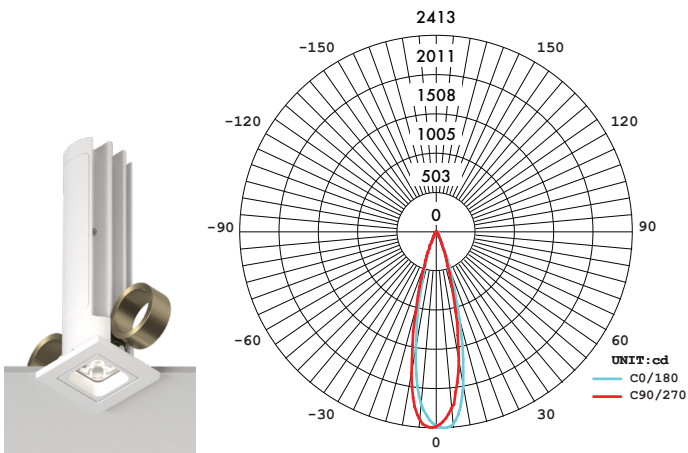
60° Optic and Louver



15° Regressed Trim



30° Regressed Trim



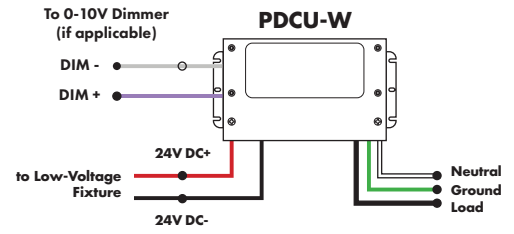
Power Supplies

See Power Supply instructions and spec sheet for wiring information. For a complete list of compatible dimmers, see Compatible Dimming Chart on the Resources page.

Universal Power Supply 1% 120VAC - 277VAC

MODEL	POWER	OUTPUT
PDCU-W-IP66 Wet Series	96-96 W 3X96-3X96 W	24-24 VDC

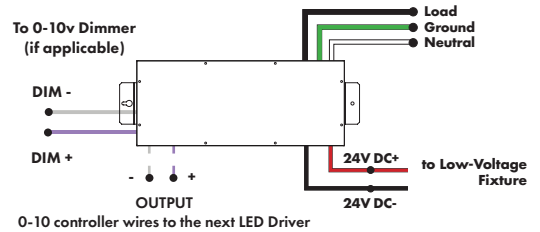
0-10V dims down to 1%, MLV/ELV/TRIAC dims down to 1%.
For a complete list of compatible dimmers, see [Compatible Dimming Chart](#) on the Resources page.



MODELS	PDCU-W 96W	PDCU-W 3X96W
Length	220mm	301mm
Width	95mm	110mm
Depth	41mm	46mm

0-10V Dimming Power Supplies 1.0% 120VAC - 277VAC

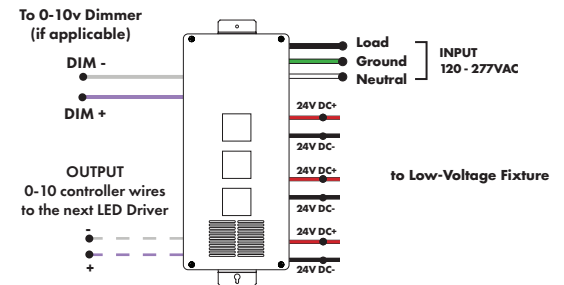
MODEL	POWER	OUTPUT	DIMMING
Contact Factory for Osram 0-10V 100W/150W Power Supply options.			



0-10V Dimming Power Supplies 0.1% 120VAC - 277VAC

MODEL	POWER	OUTPUT	DIMMING
Contact Factory for eldoLED 0-10V 96W/3X96W Power Supply options featuring eldoLED's LINEARdrive configurable dimmable drivers.			

MODELS	96W	3X96W	100W	150W
Length	367mm	400mm	TBD	TBD
Width	132mm	168mm	TBD	TBD
Depth	66mm	126mm	TBD	TBD



DALI 0% Dimming Power Supplies 120VAC - 277VAC

MODEL	POWER	OUTPUT
-------	-------	--------

Contact Factory for eldoLED Dali Power Supply options featuring eldoLED's LINEARdrive configurable dimmable drivers.

Model	96W	3X96W
Length	366mm	400mm
Width	132mm	168mm
Depth	66mm	126mm

