

Stenos Installation Instructions

Stenos 2x2 Flanged

Please read all instructions prior to installation and keep for future reference!

1. CONNECT TO 24V DC SELV
2. 4 AMP MAX ON TRACK
3. IP20

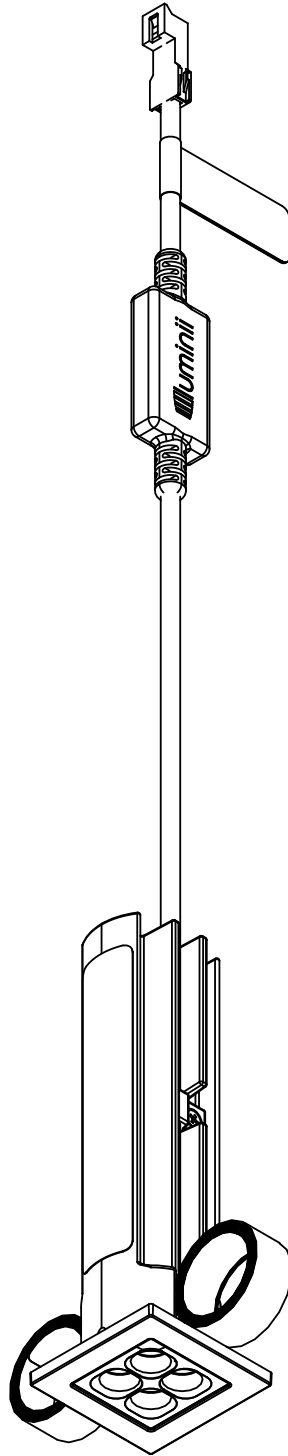


REV 0.1
10052022

1 / 3



7777 Merrimac Ave
Niles, IL 60714
T 224.333.6033
F 224.757.7557
info@luminii.com
www.luminii.com



Stenos Installation Instructions

Stenos 2x2 Flanged

Please read all instructions prior to installation and keep for future reference!

1. CONNECT TO 24V DC SELV
2. 4 AMP MAX ON TRACK
3. IP20



REV 0.1
10052022

2 / 3



7777 Merrimac Ave
Niles, IL 60714
T 224.333.6033
F 224.757.7557
info@luminii.com
www.luminii.com

New Install with Plaster Frame/IC Housing and Hanger Bars *(Required for all fixture installations)*

<p>1.1 Align the hanger bars on the plaster frame to the ceiling joists in desired location. Fasten them to the joist by hammering in the tabs on the hanger bars or with nails (supplied by others). Secure with cinching screws</p>	<p>1.2 Connect remote driver to the IC Housing via the 6 entry options. Connect supplied whip with connector to site connections inside the IC housing.</p>
<p>Mark center with plumbline onto floor.</p>	
<p>1.3 Mark fixture center opening on floor with plumbline.</p>	<p>1.4 Install the drywall to the joists. Mark fixture center from floor marking in 1.3</p>
<p>1.5 Create a cutout using a cutting tool starting at the center mark. *Note: The "Cutting Tool" aka RotoZip cutter will follow the hole in the Plaster Frame as a guide to create the hole which keeps everything concentric*</p>	<p>1.6 Fish your DC feed from Power Supply. Connect the 2x2 fixture to the power leads using the 1.8m whip/Molex connector supplied with fixture. DO NOT CUT OFF RECTANGULAR DRIVER</p>

Stenos Installation Instructions

Stenos 2x2 Flanged

Please read all instructions prior to installation and keep for future reference!

1. CONNECT TO 24V DC SELV
2. 4 AMP MAX ON TRACK
3. IP20

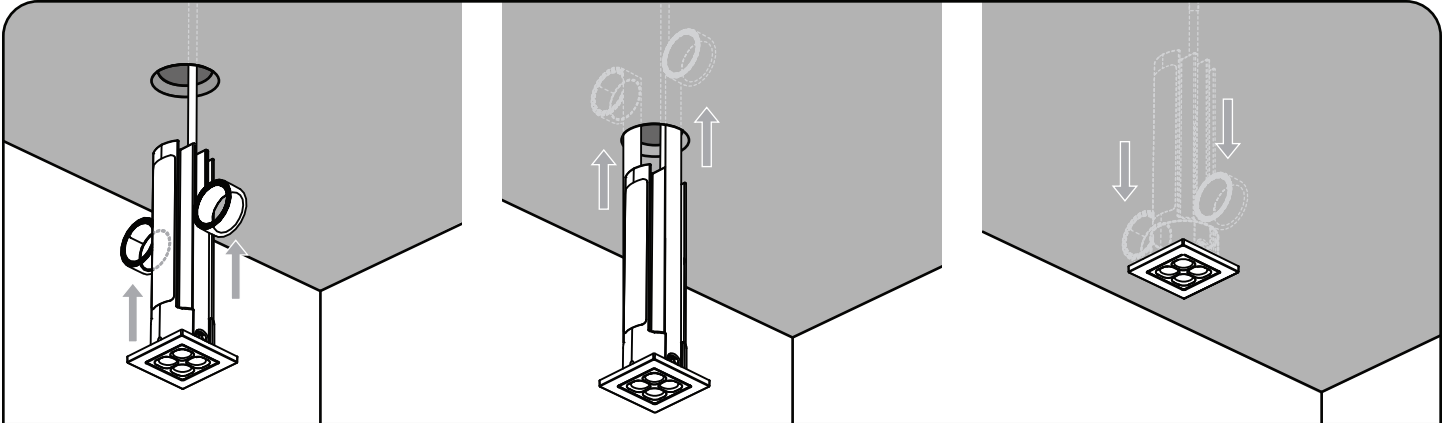


REV 0.1
10052022

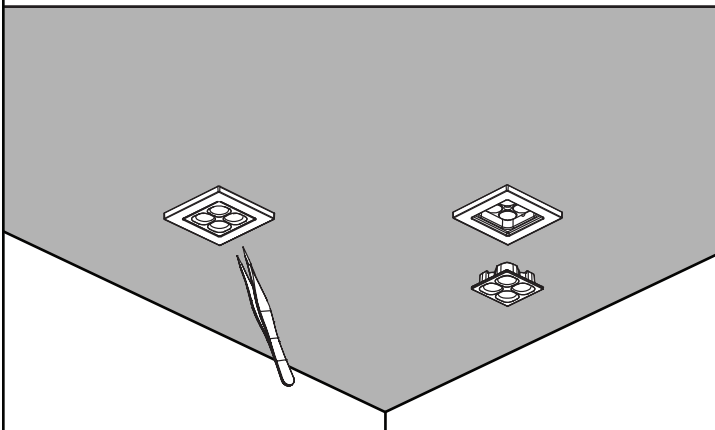
3 / 3



7777 Merrimac Ave
Niles, IL 60714
T 224.333.6033
F 224.757.7557
info@luminii.com
www.luminii.com



1.7 Unroll the constant force springs from both sides of the fixture. Then place them inside the round cut out one side at a time. Slowly allow the fixture to slide into hole as the constant force spring pull up the fixture



1.8 To swap secondary Optics, use provided soft tipped tweezers to remove existing magnetically attached louver and install desired version.