

# Stenos Downlight - Installation Instructions

Models SD-3-XX-SO-15-XX, SD-5-XX-SO-15-XX, SD-12-XX-SO-15-XX

Please read all instructions prior to installation and keep for future reference!

1. CONNECT TO 24V DC SELV
2. 4 AMP MAX ON TRACK
3. IP20

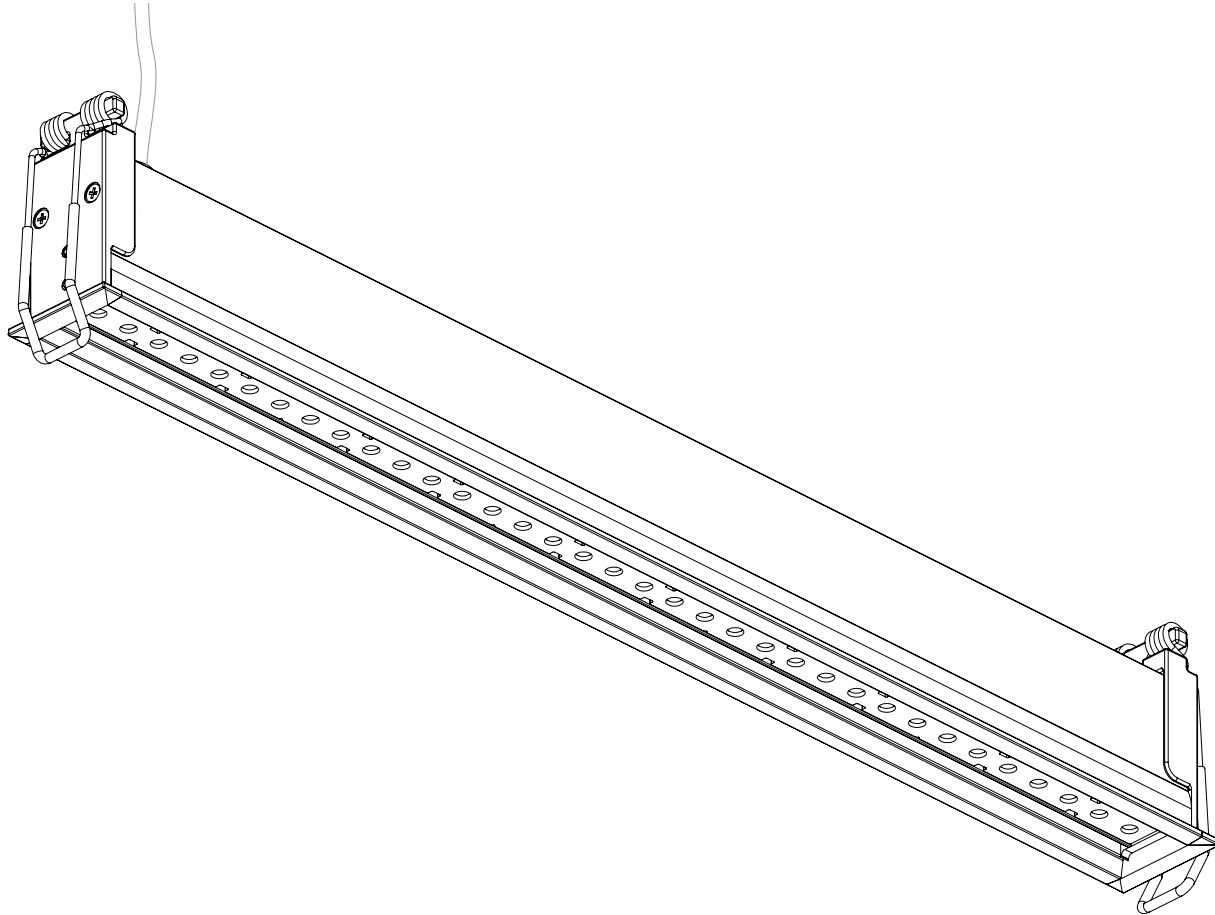


REV0.2  
11162022

1 / 4



7777 Merrimac Ave  
Niles, IL 60714  
T 224.333.6033  
F 224.757.7557  
info@luminii.com  
www.luminii.com



12" Stenos Downlight

## **Instruction page index:**

Retrofit Installation	2
New Install Installation	3-4
Additional Information	5
Power feed Layout Guide	6

# Stenos Downlight - Installation Instructions

Models SD-3-XX-SO-15-XX, SD-5-XX-SO-15-XX, SD-12-XX-SO-15-XX

Please read all instructions prior to installation and keep for future reference!

1. CONNECT TO 24V DC SELV
2. 4 AMP MAX ON TRACK
3. IP20



REV0.2  
11162022

2 / 4



7777 Merrimac Ave  
Niles, IL 60714  
T 224.333.6033  
F 224.757.7557  
info@luminii.com  
www.luminii.com

## Retrofit Plate installation

**Note: Retrofit installations are ideal for re-modeling existing ceiling structure.**

**1.1** Once the desired location is determined, place the retrofit plate onto ceiling. Followed by fastening screws into the plate holes. *If aligning multiple retrofit plates to a surface, use the alignment tabs as a guide to help keep things aligned.*

**1.2** Using a spiral saw (cutout tool) or utility knife trace the inside rectangle shape. Followed by knocking out that section. Then remove and discard the retrofit plate.

**2.1** Run the fixture lead wires through the cutout slot, to the remote power supply. Reference power supply instruction for additional information.

**2.2** Rotate the fixture spring clips into the top position, to allow fixture to slide through the cutout slot. Followed by carefully releasing spring clips and push the fixture completely into the slot. *If necessary make any surface or paint imperfection prior to installation.*

**Note: For WET locations add a small amount of silicone sealant all along the inside of the recessed flange.**

# Stenos Downlight - Installation Instructions

Models SD-3-XX-SO-15-XX, SD-5-XX-SO-15-XX, SD-12-XX-SO-15-XX

Please read all instructions prior to installation and keep for future reference!

1. CONNECT TO 24V DC SELV
2. 4 AMP MAX ON TRACK
3. IP20



REV0.2  
11162022

3 / 4



7777 Merrimac Ave  
Niles, IL 60714  
T 224.333.6033  
F 224.757.7557  
info@luminii.com  
www.luminii.com

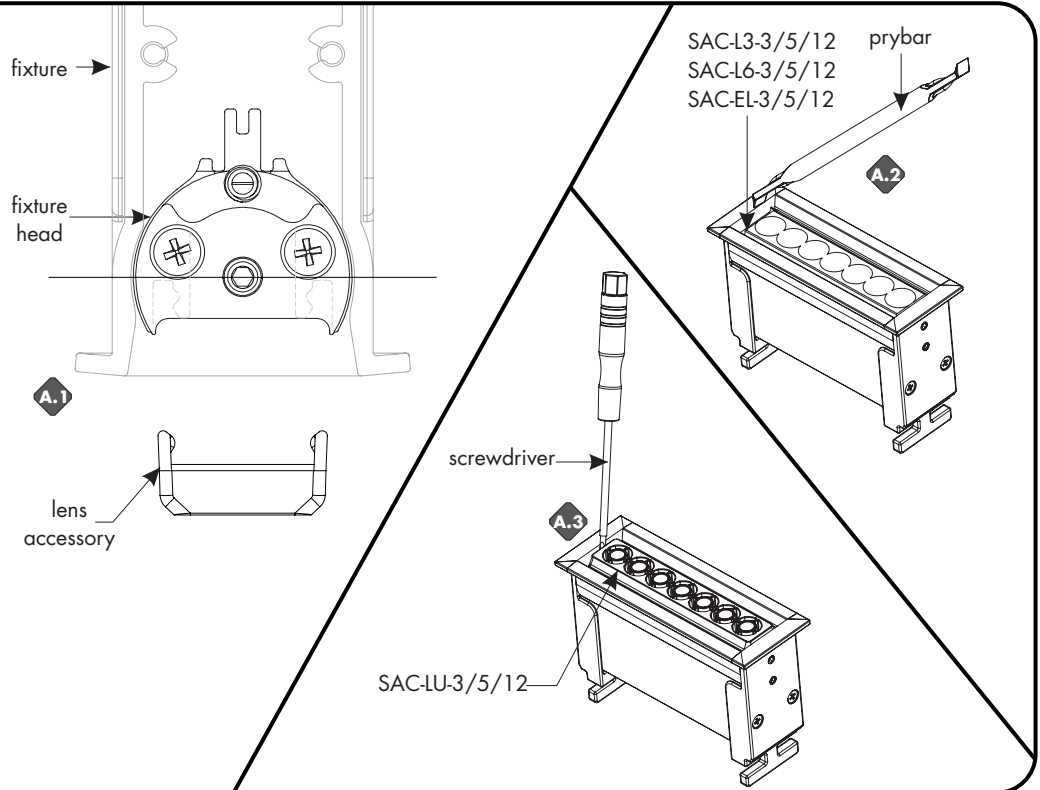
## Installing Lens Accessories

### A

**A.1** Optional lens accessories can simple snap into fixture head to secure.

**A.2** If needed: lens accessory can be removed by inserting the flat prybar in between the endcap & the fixture head. Followed by carefully prying out the accessory.

**A.3** If needed: lens accessory can be removed by inserting the flat screwdriver in between the endcap & the fixture head. Followed by carefully prying out the accessory.

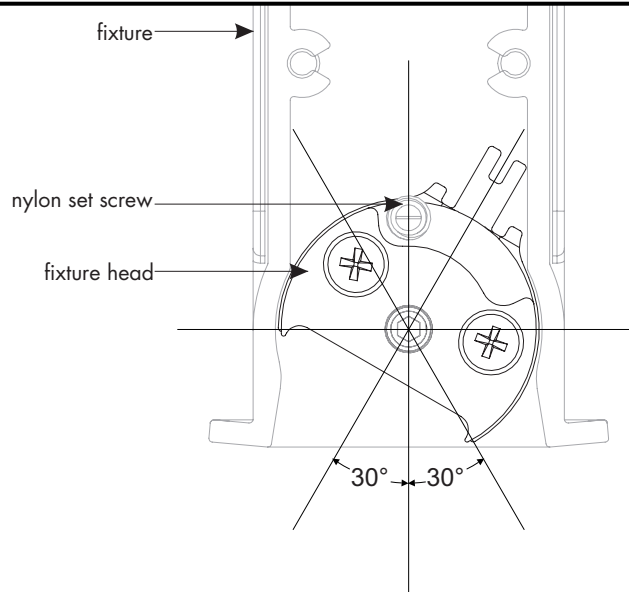


## Aiming Fixture Head

### B

**B.1** If necessary fixture head beam angle is adjustable! Carefully push on the edge of the head to either side, fixture head can rotate 30° in either direction. Once head is adjusted to the desired angle, fixture head stays in place.

**Note:** If fixture head locked in position slightly loosen the nylon set screws to adjust. Once beam angle is achieved, tighten nylon set screw to secure the position.



# Stenos Downlight - Installation Instructions

Models SD-3-XX-SO-15-XX, SD-5-XX-SO-15-XX, SD-12-XX-SO-15-XX

Please read all instructions prior to installation and keep for future reference!

1. CONNECT TO 24V DC SELV
2. 4 AMP MAX ON TRACK
3. IP20



REV0.2  
11162022

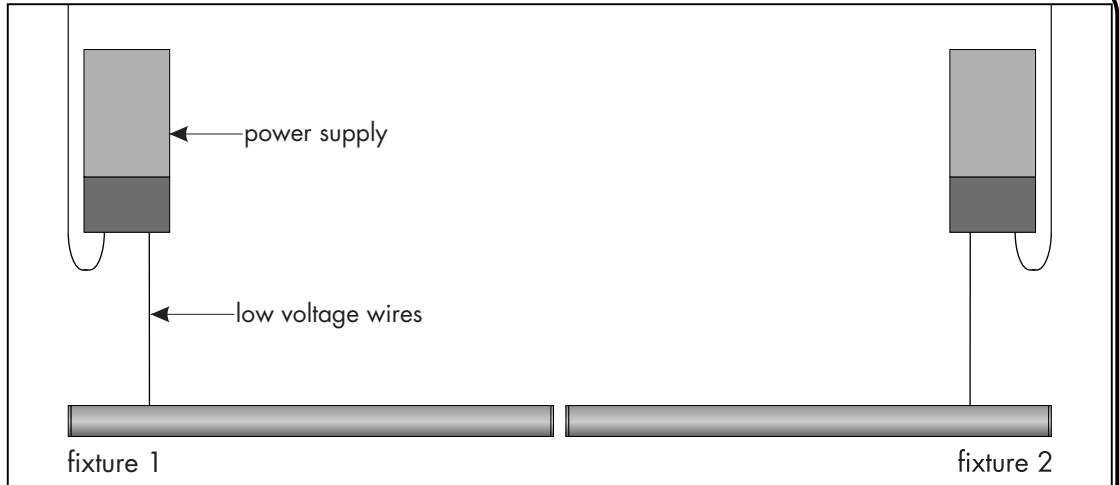
4 / 4



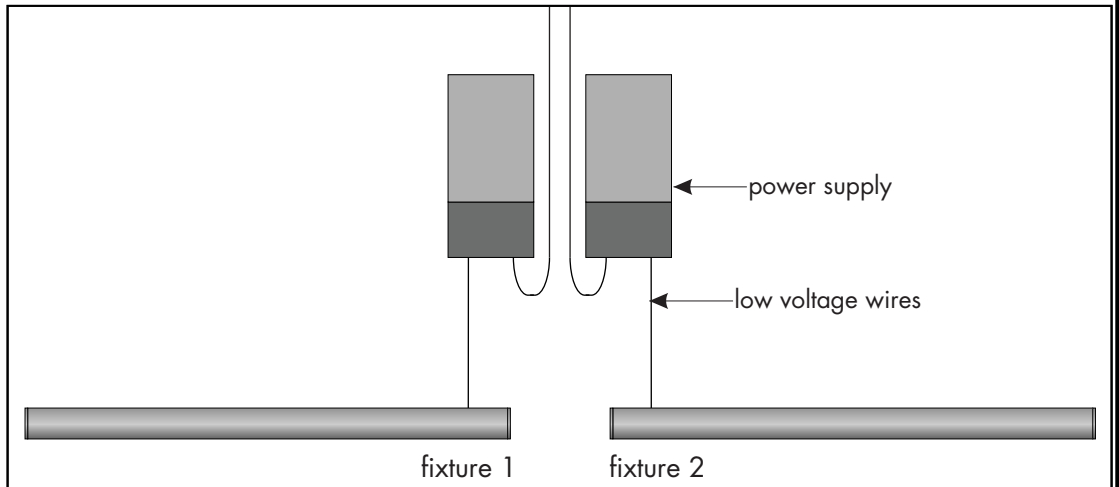
7777 Merrimac Ave  
Niles, IL 60714  
T 224.333.6033  
F 224.757.7557  
info@luminii.com  
www.luminii.com

## Best practice Power feed-Layout Guide, to help avoid visible voltage drop in-between fixture.

### power supplies at the end of the run



### power supplies in the middle of the run



consecutive layout,  
**NOT RECOMMENDED,**  
causes visible light intensity  
differences.  
between section.

