

NARROW



TECHNICAL DESCRIPTION

Minimo Core is a Constant Current. It has four optic choices for flexible beam distribution. The narrow beam in our 12.60W 1200lm module has a peak intensity of 6389cd.

MECHANICAL & ELECTRICAL

CATEGORY IP20	WATTAGE 12.60W
MATERIAL Cast Aluminium A383	FORWARD VOLTAGE 18V
PAN 355°	DRIVE CURRENT 700mA
TILT 35°	SUPPLY TYPE Constant Current
LOCKABLE N/A	DRIVER LOCATION Remote
WEIGHT 270g 0.60lb	DIMMING DALI 0-10V 1-10V

MOUNTING

MOUNTING Recessed	CUTOUT ø70mm (2.75")
CEILING THICKNESS 5-25mm (0.20-0.98")	MIN CEILING VOID 20mm (0.79") clearance above

FINISHES

FINISHES Black RAL9005 | White RAL9010 | White RAL9016

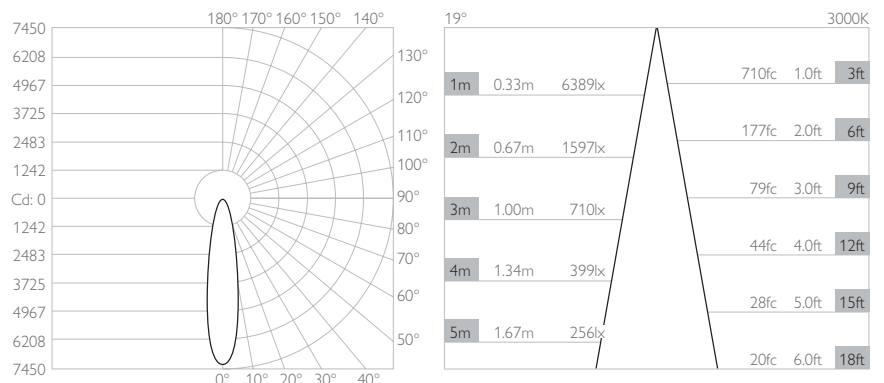
*Premium & custom finishes are built & finished to order. These are subject to an extended lead time & MOQ.

OPTICAL & STANDARDS

NOMINAL LUMENS 1200lm	BEAM ANGLE 19°
DELIVERED LUMENS 887lm	CRI 92 TYP - 2400K 98 TYP - 2700K/3000K
COLOUR TEMPERATURE 2400K 2700K 3000K	TM-30 RF: 95 RG: 101
ACCESSORY HOLDER Integral	WARRANTY 5 Years
ACCESSORIES Louver Lenses 31mm	STANDARDS



Photometry shown is for 3000K module. Please enquire for other CCT photometry. L90 50,000 hours.



LUMINAIRE FINISH

White 9010	Black 9005	White 9016
RCD-640-WH-XX9819	RCD-640-BK-XX9819	RCD-640-TW-XX9819

*All premium & custom finishes are built & finished to order. These are subject to an extended lead time & MOQ

For 3000K Substitute XX with 30

For 2700K Substitute XX with 27

MEDIUM



TECHNICAL DESCRIPTION

Minimo Core is a Constant Current. It has four optic choices for flexible beam distribution. The medium beam in our 12.60W 1200lm module has a peak intensity of 5069cd.

MECHANICAL & ELECTRICAL

CATEGORY IP20	WATTAGE 12.60W
MATERIAL Cast Aluminium A383	FORWARD VOLTAGE 18V
PAN 355°	DRIVE CURRENT 700mA
TILT 35°	SUPPLY TYPE Constant Current
LOCKABLE N/A	DRIVER LOCATION Remote
WEIGHT 270g 0.60lb	DIMMING DALI 0-10V 1-10V

MOUNTING

MOUNTING Recessed	CUTOUT ø70mm (2.75")
CEILING THICKNESS 5-25mm (0.20-0.98")	MIN CEILING VOID 20mm (0.79") clearance above

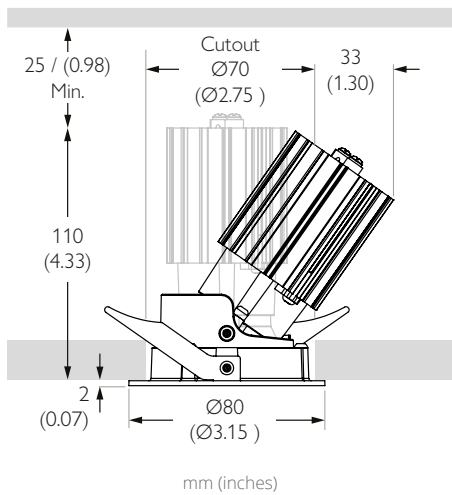
FINISHES

FINISHES Black RAL9005 | White RAL9010 | White RAL9016

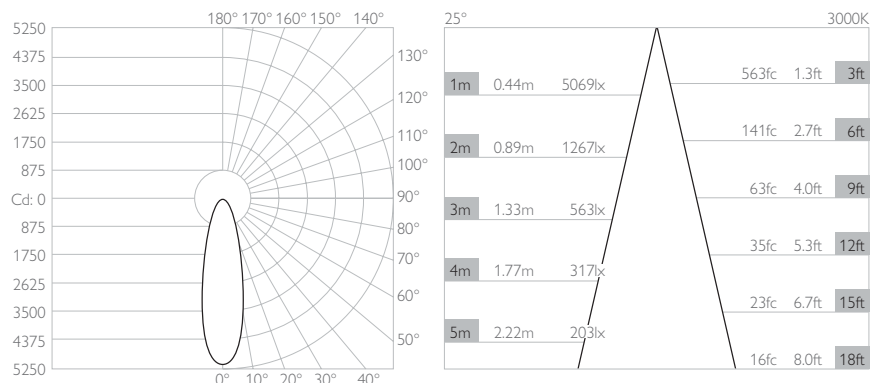
*Premium & custom finishes are built & finished to order. These are subject to an extended lead time & MOQ.

OPTICAL & STANDARDS

NOMINAL LUMENS 1200lm	BEAM ANGLE 25°
DELIVERED LUMENS 1001lm	CRI 92 TYP - 2400K 98 TYP - 2700K/3000K
COLOUR TEMPERATURE 2400K 2700K 3000K	TM-30 RF: 95 RG: 101
ACCESSORY HOLDER Integral	WARRANTY 5 Years
ACCESSORIES Louver Lenses 31mm	STANDARDS



Photometry shown is for 3000K module. Please enquire for other CCT photometry. L90 50,000 hours.



LUMINAIRE FINISH

White 9010	Black 9005	White 9016
RCD-640-WH-XX9825	RCD-640-BK-XX9825	RCD-640-TW-XX9825

*All premium & custom finishes are built & finished to order. These are subject to an extended lead time & MOQ

For 3000K Substitute XX with 30

For 2700K Substitute XX with 27

MINIMO CORE

FLOOD



TECHNICAL DESCRIPTION

Minimo Core is a Constant Current. It has four optic choices for flexible beam distribution. The flood beam in our 12.60W 1200lm module has a peak intensity of 2473cd.

MECHANICAL & ELECTRICAL

CATEGORY IP20

MATERIAL Cast Aluminium A383

PAN 355°

TILT 35°

LOCKABLE N/A

WEIGHT 270g | 0.60lb

WATTAGE 12.60W

FORWARD VOLTAGE 18V

DRIVE CURRENT 700mA

SUPPLY TYPE Constant Current

DRIVER LOCATION Remote

DIMMING DALI | 0-10V | 1-10V

MOUNTING

MOUNTING Recessed

CEILING THICKNESS 5-25mm (0.20-0.98")

CUTOUT ø70mm (2.75")

MIN CEILING VOID 20mm (0.79") clearance above

FINISHES

FINISHES Black RAL9005 | White RAL9010 | White RAL9016

*Premium & custom finishes are built & finished to order. These are subject to an extended lead time & MOQ.

OPTICAL & STANDARDS

NOMINAL LUMENS 1200lm

DELIVERED LUMENS 997lm

COLOUR TEMPERATURE 2400K | 2700K | 3000K

ACCESSORY HOLDER Integral

ACCESSORIES Louver | Lenses 31mm

BEAM ANGLE 37°

CRI 92 TYP - 2400K | 98 TYP - 2700K/3000K

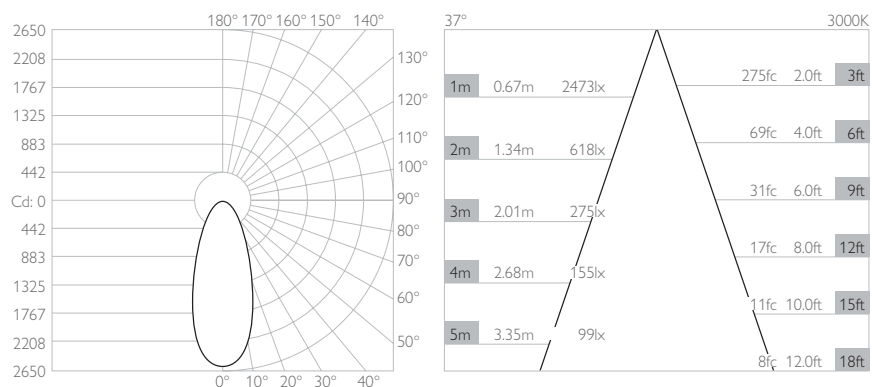
TM-30 RF: 95 RG: 101

WARRANTY 5 Years

STANDARDS



Photometry shown is for 3000K module. Please enquire for other CCT photometry. L90 50,000 hours.



LUMINAIRE FINISH

White 9010	Black 9005	White 9016
RCD-640-WH-XX9837	RCD-640-BK-XX9837	RCD-640-TW-XX9837

*All premium & custom finishes are built & finished to order. These are subject to an extended lead time & MOQ

For 3000K Substitute XX with 30

For 2700K Substitute XX with 27

MINIMO CORE

WIDE FLOOD



TECHNICAL DESCRIPTION

Minimo Core is a Constant Current. It has four optic choices for flexible beam distribution. The wide flood beam in our 12.60W 1200lm module has a peak intensity of 1537cd.

MECHANICAL & ELECTRICAL

CATEGORY IP20	WATTAGE 12.60W
MATERIAL Cast Aluminium A383	FORWARD VOLTAGE 18V
PAN 355°	DRIVE CURRENT 700mA
TILT 35°	SUPPLY TYPE Constant Current
LOCKABLE N/A	DRIVER LOCATION Remote
WEIGHT 270g 0.60lb	DIMMING DALI 0-10V 1-10V

MOUNTING

MOUNTING Recessed	CUTOUT ø70mm (2.75")
CEILING THICKNESS 5-25mm (0.20-0.98")	MIN CEILING VOID 20mm (0.79") clearance above

FINISHES

FINISHES Black RAL9005 | White RAL9010 | White RAL9016

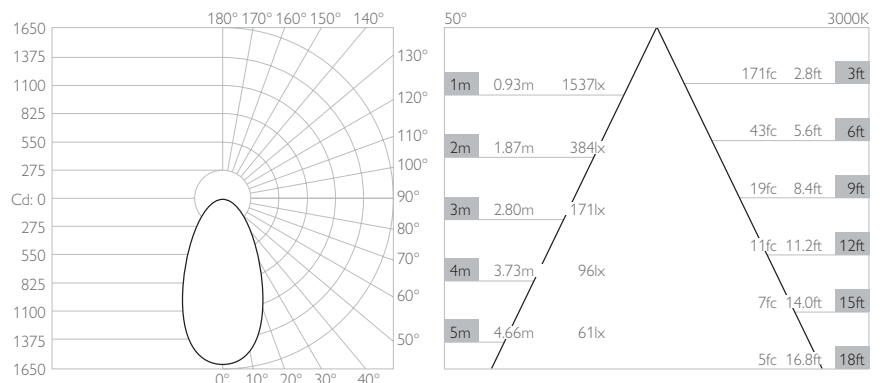
*Premium & custom finishes are built & finished to order. These are subject to an extended lead time & MOQ.

OPTICAL & STANDARDS

NOMINAL LUMENS 1200lm	BEAM ANGLE 50°
DELIVERED LUMENS 912lm	CRI 92 TYP - 2400K 98 TYP - 2700K/3000K
COLOUR TEMPERATURE 2400K 2700K 3000K	TM-30 RF: 95 RG: 101
ACCESSORY HOLDER Integral	WARRANTY 5 Years
ACCESSORIES Louver Lenses 31mm	STANDARDS



Photometry shown is for 3000K module. Please enquire for other CCT photometry. L90 50,000 hours.



LUMINAIRE FINISH

White 9010	Black 9005	White 9016
RCD-640-WH-XX9850	RCD-640-BK-XX9850	RCD-640-TW-XX9850

*All premium & custom finishes are built & finished to order. These are subject to an extended lead time & MOQ

For 3000K Substitute XX with 30

For 2700K Substitute XX with 27