

NARROW SPOT



TECHNICAL DESCRIPTION

Atto T Jack is a miniature, display orientated LED spotlight that comes as standard in white, black and brushed aluminium finishes. It has four site changeable optics for flexible distribution. The narrow spot beam in our 1.1W 102lm module has a peak intensity of 794cd. There is a 360 degree bearing aided rotation and 180 degree constant torque tilt mechanism, both lockable. The luminaire is compatible with our Minipoint system that enables a plug and play setup where luminaires can be simply swapped to suit changing lighting requirements.

MECHANICAL & ELECTRICAL

CATEGORY Interior use only IP20
MATERIAL Aluminium | Brass
LOCKABLE Pan & Tilt
ACCESSORIES Snoots

SYSTEMS Minipoint
WEIGHT 18g
FORWARD VOLTAGE 3.2V MAX
CURRENT 350mA

FINISHES

FINISHES Brushed Aluminium | Black | White | Brass | Custom*

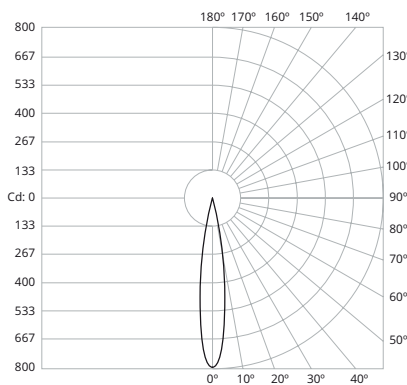
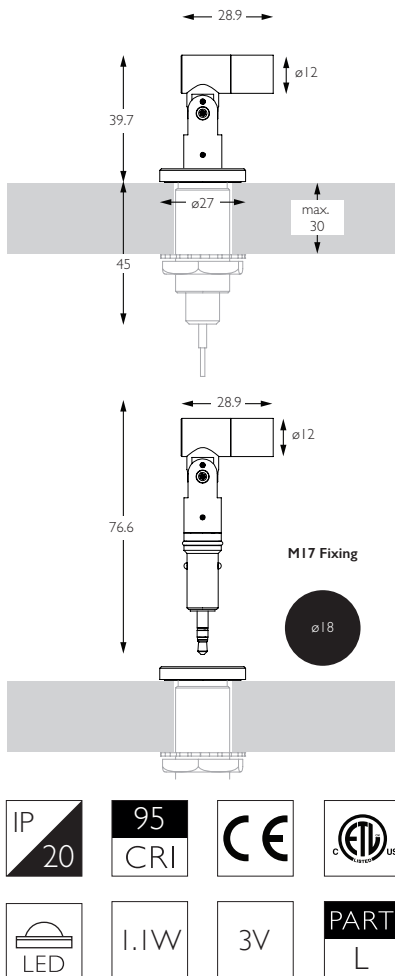
* All Custom finishes are built and finished to order. These are subject to an extended lead time and MOQ

OPTICAL

SYSTEM POWER 1.1W
MODULE OUTPUT 102lm*
ABSOLUTE OUTPUT 94lm
LOR 92
GEAR TYPE Dimmable available

COLOUR TEMPERATURE 3000K*
CRI 95 TYP
TM-30 RF: 93 RG: 99
BEAM ANGLE 16°

** Photometry shown is correct for 3000K module. Please enquire for 2700K module output.



1.1W 16°		3000K LED
0.25m	0.07m	12,701 lx
0.50m	0.14m	3,175 lx
1.00m	0.28m	794 lx
2.00m	0.56m	198 lx
3.00m	0.84m	88 lx

	Brushed Aluminium	White 9010	Matte Anodised Black	Rubbed Bronze *	Polished Brass *	Brushed Brass *
Without Minipoint*	772-AL-XX9516	772-WH-XX9516	772-EBA-XX9516	772-RB-XX9516	772-PB-XX9516	772-SB-XX9516
With Minipoint	M-A-772-AL-XX9516	M-A-772-WH-XX9516	M-A-772-EBA-XX9516	M-A-772-RB-XX9516	M-A-772-PB-XX9516	M-A-772-SB-XX9516

*A minipoint is required, if the individual code is used then a minipoint must be purchased separately

For 3000K Substitute XX with 30

-

For 2700K Substitute XX with 27

MEDIUM



TECHNICAL DESCRIPTION

Atto T Jack is a miniature, display orientated LED spotlight that comes as standard in white, black and brushed aluminium finishes. It has four site changeable optics for flexible distribution. The medium beam in our 1.1W 102lm module has a peak intensity of 359cd. There is a 360 degree bearing aided rotation and 180 degree constant torque tilt mechanism, both lockable. The luminaire is compatible with our Minipoint system that enables a plug and play setup where luminaires can be simply swapped to suit changing lighting requirements.

MECHANICAL & ELECTRICAL

CATEGORY Interior use only IP20
MATERIAL Aluminium | Brass
LOCKABLE Pan & Tilt
ACCESSORIES Snoots

SYSTEMS Minipoint
WEIGHT 18g
FORWARD VOLTAGE 3.2V MAX
CURRENT 350mA

FINISHES

FINISHES Brushed Aluminium | Black | White | Brass | Custom*

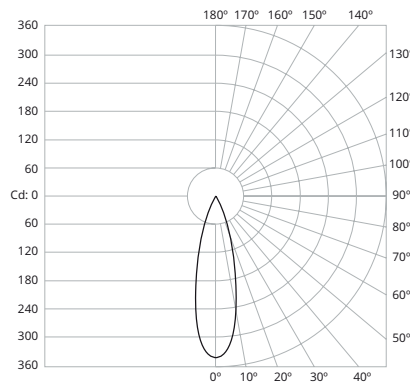
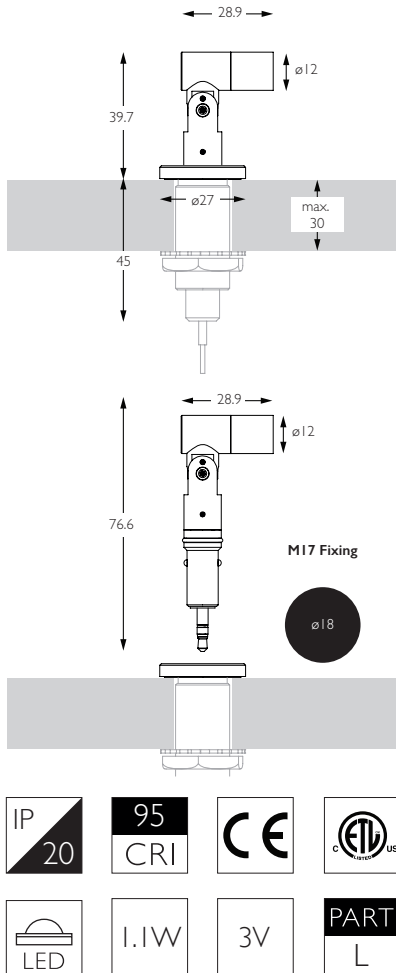
* All Custom finishes are built and finished to order. These are subject to an extended lead time and MOQ

OPTICAL

SYSTEM POWER 1.1W
MODULE OUTPUT 102lm*
ABSOLUTE OUTPUT 92lm
LOR 90
GEAR TYPE Dimmable available

COLOUR TEMPERATURE 3000K*
CRI 95 TYP
TM-30 RF: 93 RG: 99
BEAM ANGLE 23°

** Photometry shown is correct for 3000K module. Please enquire for 2700K module output.



1.1W 23°		3000K LED	
0.25m	0.10m	5,745 lx	
0.50m	0.20m	1,436 lx	
1.00m	0.41m	359 lx	
2.00m	0.81m	90 lx	
3.00m	1.22m	40 lx	

	Brushed Aluminium	White 9010	Matte Anodised Black	Rubbed Bronze *	Polished Brass *	Brushed Brass *
Without Minipoint*	772-AL-XX9523	772-WH-XX9523	772-EBA-XX9523	772-RB-XX9523	772-PB-XX9523	772-SB-XX9523
With Minipoint	M-A-772-AL-XX9523	M-A-772-WH-XX9523	M-A-772-EBA-XX9523	M-A-772-RB-XX9523	M-A-772-PB-XX9523	M-A-772-SB-XX9523

*A minipoint is required, if the individual code is used then a minipoint must be purchased separately

For 3000K Substitute XX with 30

For 2700K Substitute XX with 27

FLOOD



TECHNICAL DESCRIPTION

Atto T Jack is a miniature, display orientated LED spotlight that comes as standard in white, black and brushed aluminium finishes. It has four site changeable optics for flexible distribution. The flood beam in our 1.1W 102lm module has a peak intensity of 109cd. There is a 360 degree bearing aided rotation and 180 degree constant torque tilt mechanism, both lockable. The luminaire is compatible with our Minipoint system that enables a plug and play setup where luminaires can be simply swapped to suit changing lighting requirements.

MECHANICAL & ELECTRICAL

CATEGORY Interior use only IP20
MATERIAL Aluminium | Brass
LOCKABLE Pan & Tilt
ACCESSORIES Snoots

SYSTEMS Minipoint
WEIGHT 18g
FORWARD VOLTAGE 3.2V MAX
CURRENT 350mA

FINISHES

FINISHES Brushed Aluminium | Black | White | Brass | Custom*

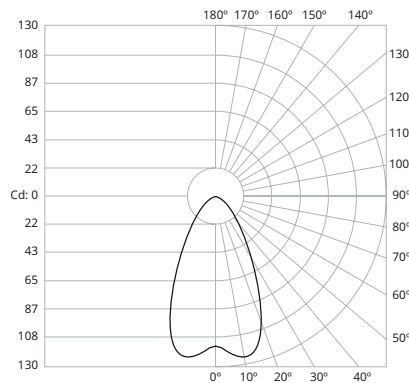
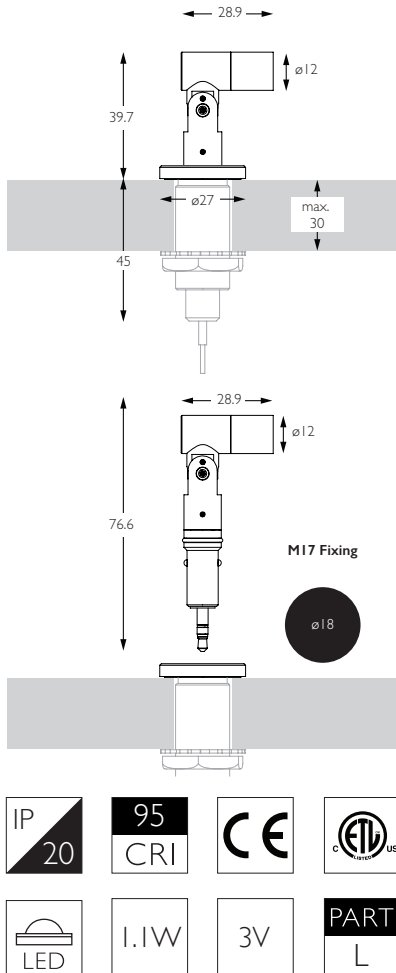
* All Custom finishes are built and finished to order. These are subject to an extended lead time and MOQ

OPTICAL

SYSTEM POWER 1.1W
MODULE OUTPUT 102lm*
ABSOLUTE OUTPUT 93lm
LOR 9l
GEAR TYPE Dimmable available

COLOUR TEMPERATURE 3000K*
CRI 95 TYP
TM-30 RF: 93 RG: 99
BEAM ANGLE 45°

** Photometry shown is correct for 3000K module. Please enquire for 2700K module output.



Distance	Beam Diameter	3000K LED Illuminance (lx)
0.25m	0.21m	1,744 lx
0.50m	0.41m	436 lx
1.00m	0.83m	109 lx
2.00m	1.66m	27 lx
3.00m	2.49m	12 lx

	Brushed Aluminium	White 9010	Matte Anodised Black	Rubbed Bronze *	Polished Brass *	Brushed Brass *
Without Minipoint*	772-AL-XX9545	772-WH-XX9545	772-EBA-XX9545	772-RB-XX9545	772-PB-XX9545	772-SB-XX9545
With Minipoint	M-A-772-AL-XX9545	M-A-772-WH-XX9545	M-A-772-EBA-XX9545	M-A-772-RB-XX9545	M-A-772-PB-XX9545	M-A-772-SB-XX9545

*A minipoint is required, if the individual code is used then a minipoint must be purchased separately

For 3000K Substitute XX with 30

For 2700K Substitute XX with 27

WIDE FLOOD



TECHNICAL DESCRIPTION

Atto T Jack is a miniature, display orientated LED spotlight that comes as standard in white, black and brushed aluminium finishes. It has four site changeable optics for flexible distribution. The wide flood beam in our 1.1W 102lm module has a peak intensity of 26cd. There is a 360 degree bearing aided rotation and 180 degree constant torque tilt mechanism, both lockable. The luminaire is compatible with our Minipoint system that enables a plug and play setup where luminaires can be simply swapped to suit changing lighting requirements.

MECHANICAL & ELECTRICAL

CATEGORY Interior use only IP20
MATERIAL Aluminium | Brass
LOCKABLE Pan & Tilt
ACCESSORIES Snoots

SYSTEMS Minipoint
WEIGHT 18g
FORWARD VOLTAGE 3.2V MAX
CURRENT 350mA

FINISHES

FINISHES Brushed Aluminium | Black | White | Brass | Custom*

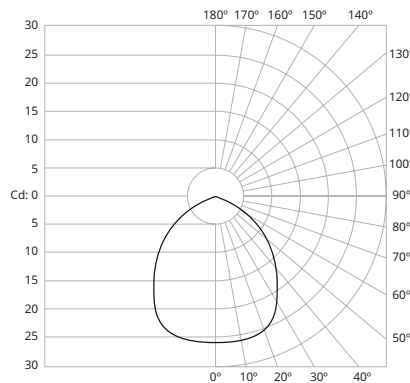
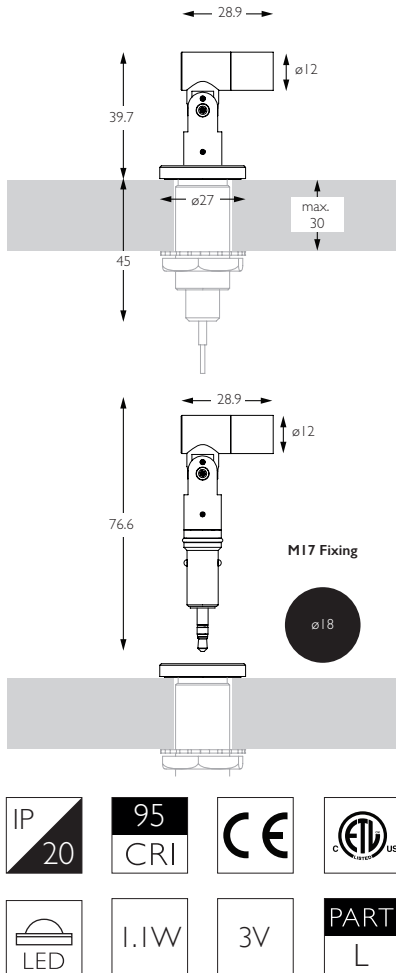
* All Custom finishes are built and finished to order. These are subject to an extended lead time and MOQ

OPTICAL

SYSTEM POWER 1.1W
MODULE OUTPUT 102lm*
ABSOLUTE OUTPUT 69lm
LOR 68
GEAR TYPE Dimmable available

COLOUR TEMPERATURE 3000K*
CRI 95 TYP
TM-30 RF: 93 RG: 99
BEAM ANGLE 90°

** Photometry shown is correct for 3000K module. Please enquire for 2700K module output.



1.1W 90°		3000K LED	
0.25m	0.50m	416 lx	
0.50m	1.00m	104 lx	
1.00m	2.00m	26 lx	
2.00m	4.00m	7 lx	
3.00m	6.00m	3 lx	

	Brushed Aluminium	White 9010	Matte Anodised Black	Rubbed Bronze *	Polished Brass *	Brushed Brass *
Without Minipoint*	772-AL-XX9590	772-WH-XX9590	772-EBA-XX9590	772-RB-XX9590	772-PB-XX9590	772-SB-XX9590
With Minipoint	M-A-772-AL-XX9590	M-A-772-WH-XX9590	M-A-772-EBA-XX9590	M-A-772-RB-XX9590	M-A-772-PB-XX9590	M-A-772-SB-XX9590

*A minipoint is required, if the individual code is used then a minipoint must be purchased separately

For 3000K Substitute XX with 30

-

For 2700K Substitute XX with 27